

R&S[®]ZZA-GE23

19 Inch Rack Adapter 2HU

Assembly Instruction, English



5601565502
Version 03

ROHDE & SCHWARZ
Make ideas real



The assembly instruction describes the installation of instruments in a 19 inch rack using the R&S ZZA-GE23 Rack Adapter 2HU (order no. 5601.4059.02).

The following instruments are supported:

- R&S®NGP802 Two-channel 32V/20A Power Supply 400 W (5601.4007.05)
- R&S®NGP822 Two-channel 64V/10A Power Supply 400 W (5601.4007.06)
- R&S®NGP804 Four-channel 32V/20A Power Supply 800 W (5601.4007.02)
- R&S®NGP824 Four-channel 64V/10A Power Supply 800 W (5601.4007.03)
- R&S®NGP814 Four-channel 32V/20A & 64V/10A Power Supply 800 W (5601.4007.04)
- R&S®LCX100 LCR Meter (3629.8856.02)
- R&S®LCX200 LCR Meter (3629.8856.03)

© 2022 Rohde & Schwarz GmbH & Co. KG
Muehldorfstr. 15, 81671 Muenchen, Germany
Phone: +49 89 41 29 - 0
Email: info@rohde-schwarz.com
Internet: www.rohde-schwarz.com

Subject to change – data without tolerance limits is not binding.

R&S® is a registered trademark of Rohde & Schwarz GmbH & Co. KG.

Trade names are trademarks of the owners.

5601.5655.02 | Version 03 | R&S®ZZA-GE23

Throughout this manual products from Rohde & Schwarz are indicated without the ® symbol, e.g. R&S®ZZA-GE23 is indicated as R&S ZZA-GE23.

1 Description

The R&S ZZA-GE23 Rack Adapter 2HU is designed for installing units of the supported instruments in 19 inch systems. The dimensions of the rackmount kits are designed according to the 19 inch standard DIN 60297-3-101.

For the installation of the racks in 19 inch cabinets, rails must be used.

The R&S ZZA-GE23 Rack Adapter 2HU is supplied without front handles. However, it can be retrofitted at any time with handles. Thus, you can define the look of the handles individually according to your wishes. You can use all standard handle bars with 55 mm spacing and M4 thread. The outer dimensions should not exceed 65 mm. For the assembly of the handles, use M4x10 countersunk screws.

Suitable examples:

- Ganter handle GN 425.6-8-55-EL (available from Ganter)
- Rohde handle series ST, ST 08.055.22 (available from Rohde AG, Ettinger,)

All necessary screws for mounting are included.



Shipping of instruments built in to the rack is not permitted.

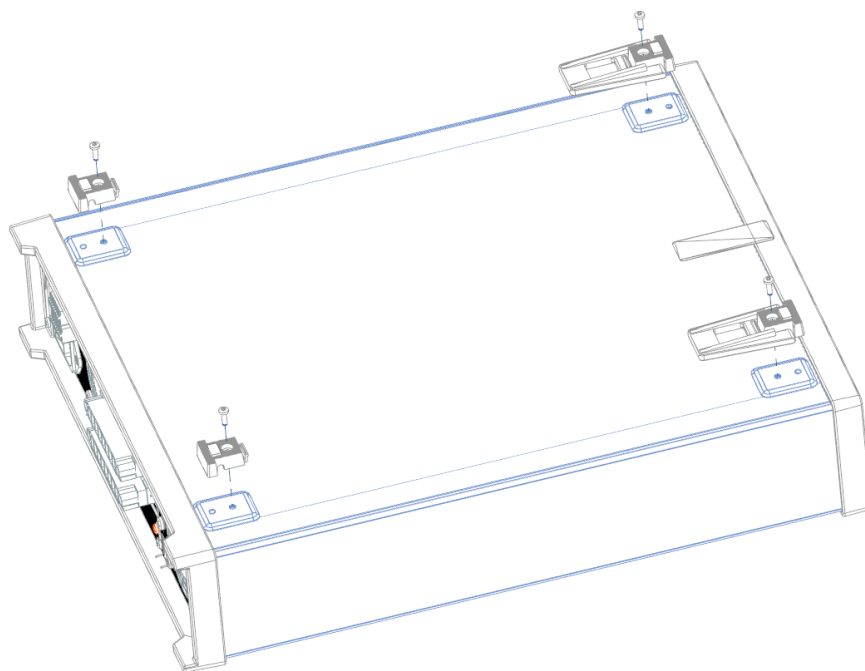
2 Prepare the Unit for Installation

Before the instrument can be installed in the rack, the following are required:

- Remove the appliance feet on the instrument
- Dismantle the upper and lower covers from the rear bracket

Remove appliance feet.

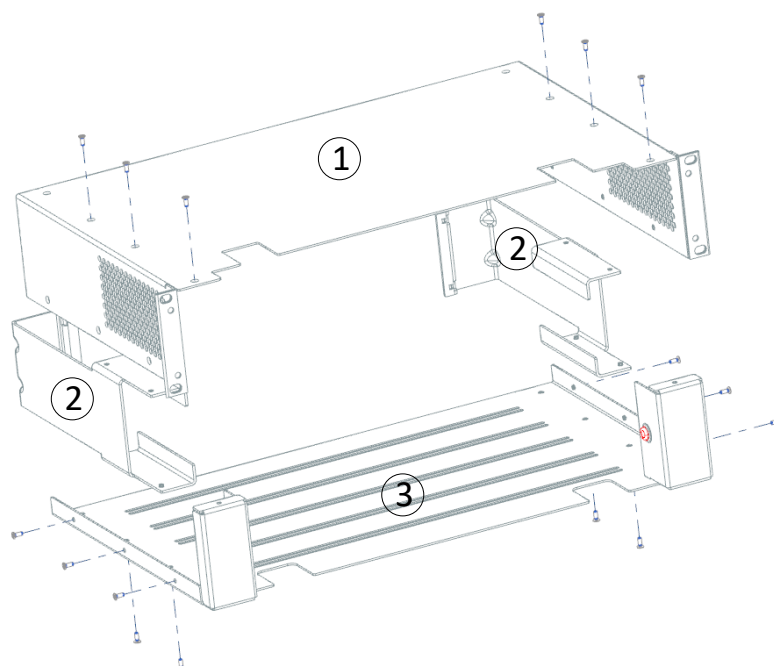
1. Remove the screws on the bottom.



2. Remove the feet.

Dismantle the rack adapter.

1. Loosen the screws on the rack adapter.



- 1 = R&S ZZA-GE23 subrack, upper cover
- 2 = R&S ZZA-GE23 subrack, rear bracket
- 3 = R&S ZZA-GE23 subrack, lower cover

2. Dismantle the upper and lower covers from the rear bracket.



Keep feet with screws well, if the instrument is to be operated again as a tabletop unit.

3 Install the Unit in the 19 Inch Rack

NOTICE

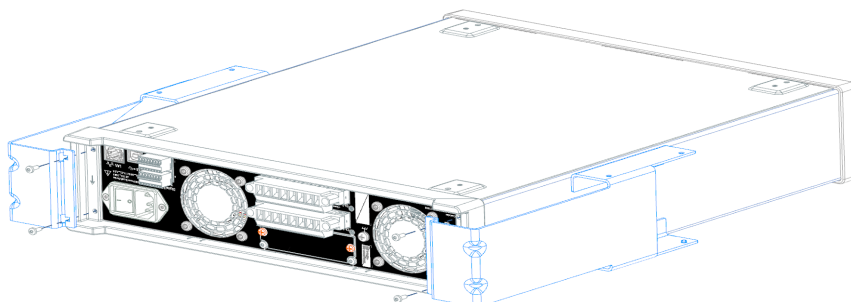
Risk of instrument damage due to insufficient airflow in a rack

If the instrument is run with insufficient airflow for a longer period, the instrument overheats, which can disturb the operation or cause the instrument to shut down.

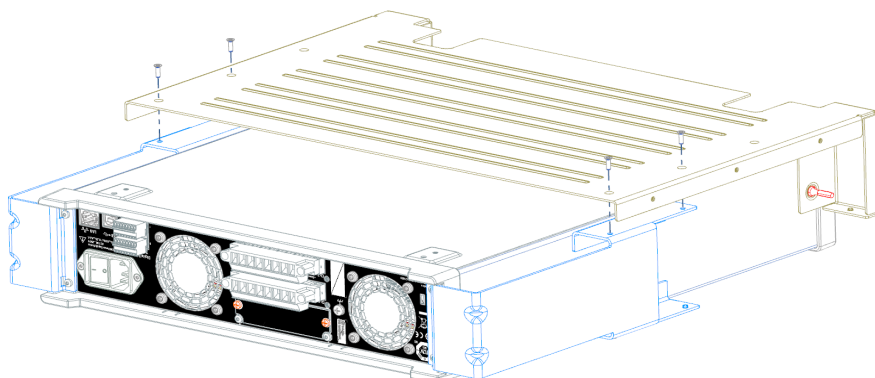
To avoid overheating, make sure that the air can circulate through the instruments. Reserve enough space on the outsides (at least 10 cm) to ensure sufficient cooling.

To install the instrument:

1. Place the instrument with the bottom feet position facing up.
2. Loosen the four screws at the rear panel partially and slide the two rear brackets over the screws position.
3. Tighten the four screws back partially so that mounting of the lower cover can be adjusted for step 5.



4. Mount the lower cover over the two rear brackets and tighten the four screws on the lower cover.
5. Tighten the four screws back at the two rear brackets.



6. Place the instrument with the bottom feet position facing down.
7. Mount the upper cover over the instrument and tighten the six screws on both top and side of the upper cover.

