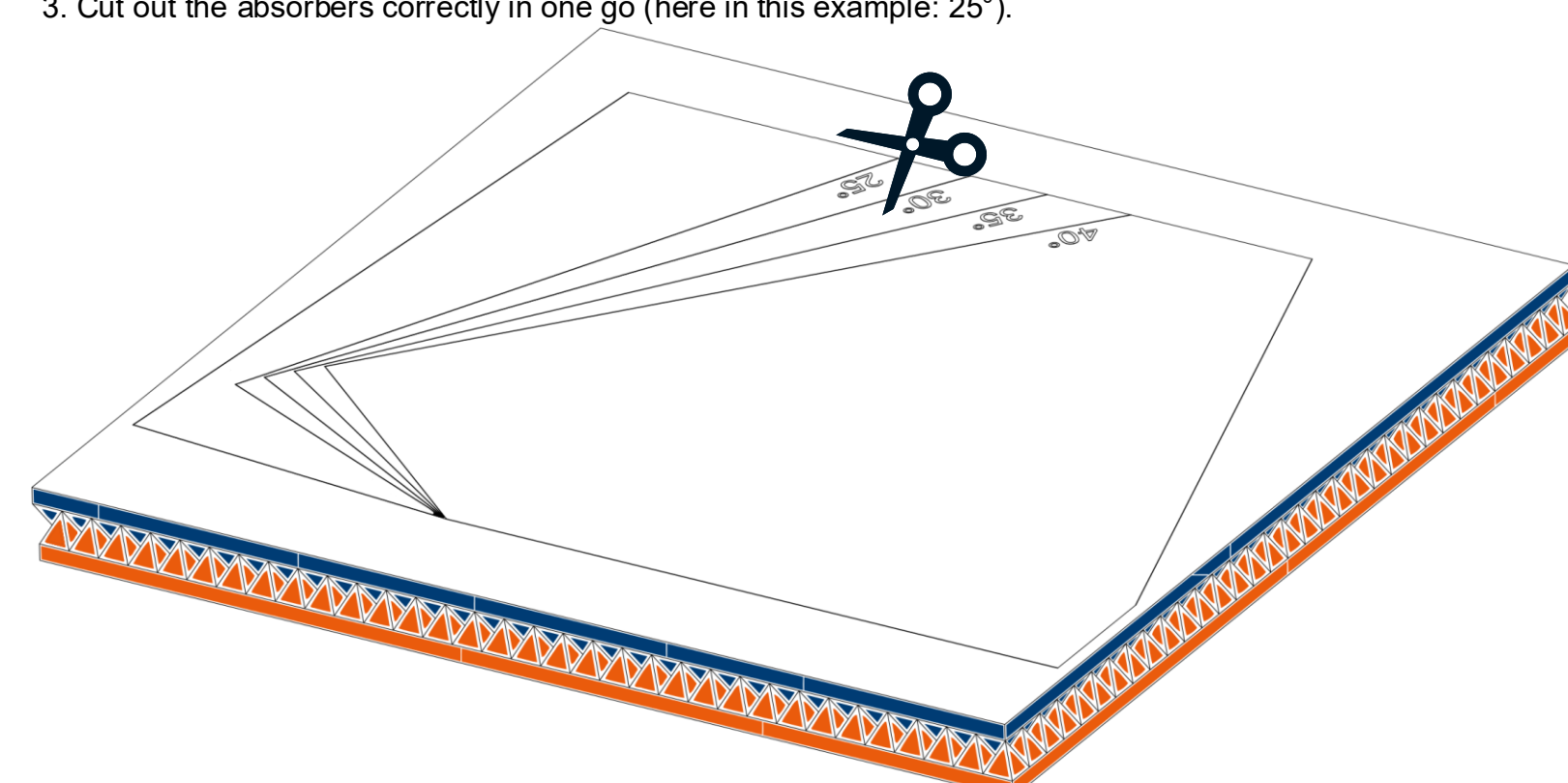




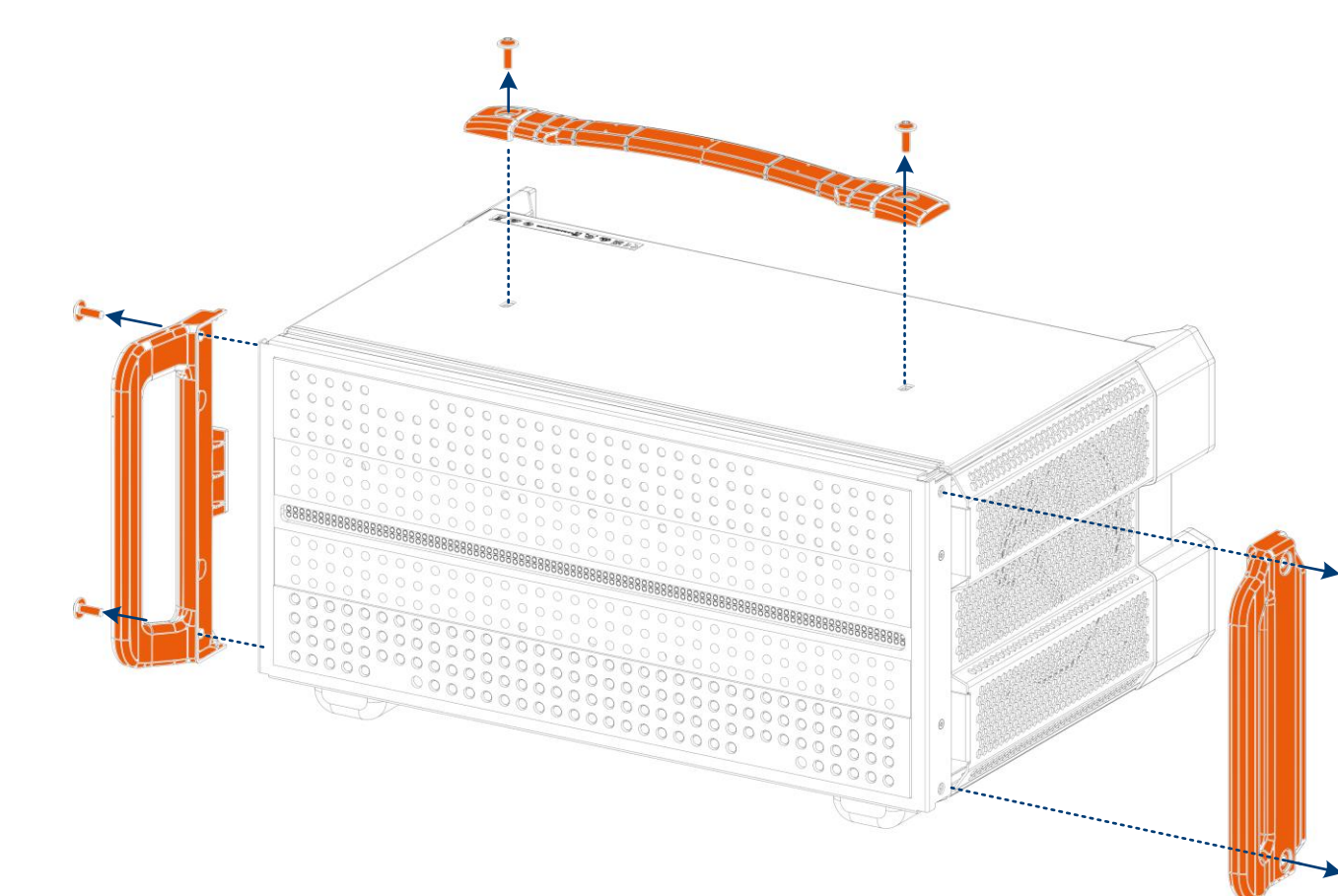
i Make sure to cut out the second absorber plate correctly. The second absorber plate is a mirror image of the first one. In the end, the absorber plates must look like this, if you put them next to each other.



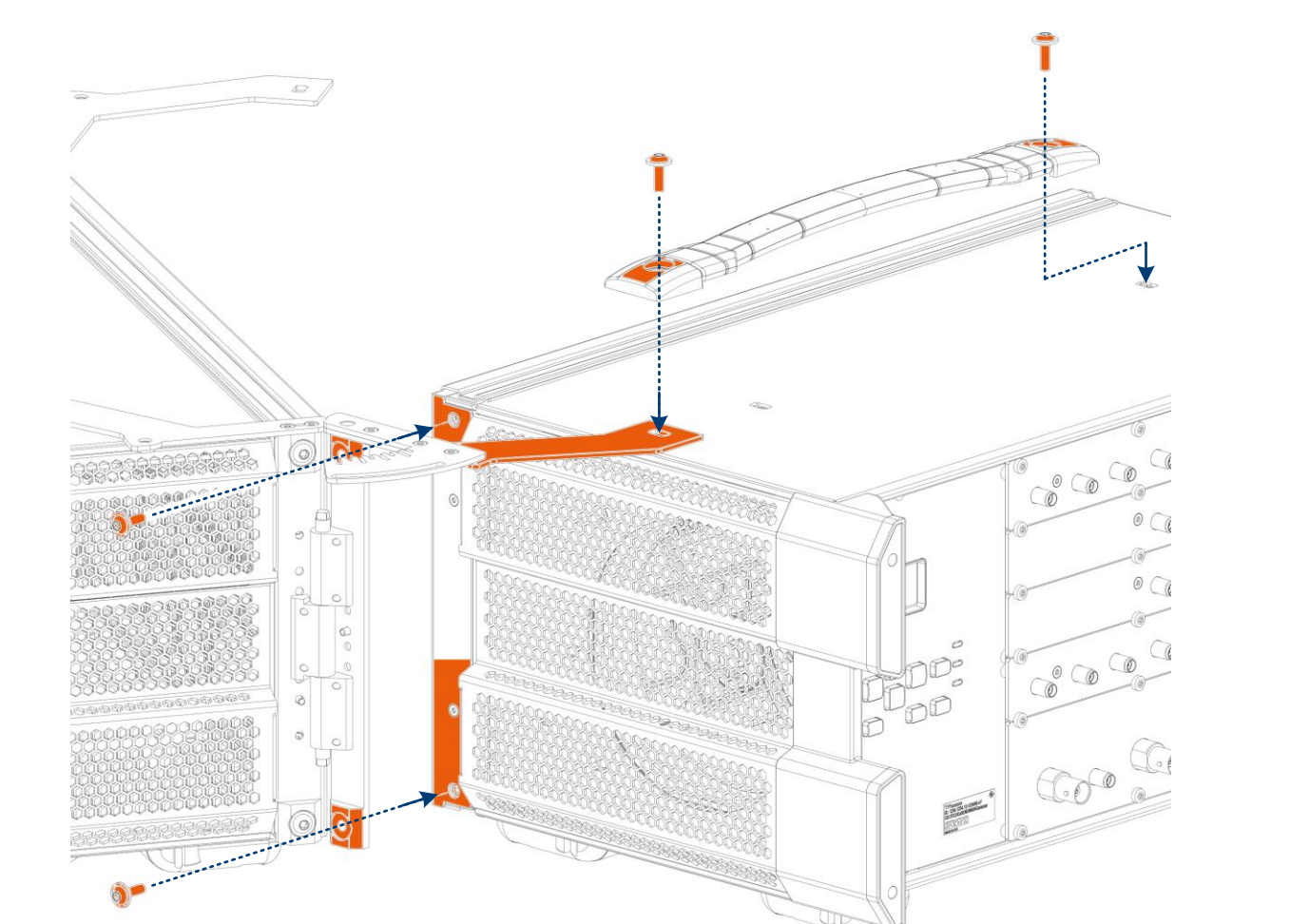
Tip
 1. Stack the absorber plates on top of each other as shown in the image below.
 2. Put the stencil on the upper absorber.
 3. Cut out the absorbers correctly in one go (here in this example: 25°).



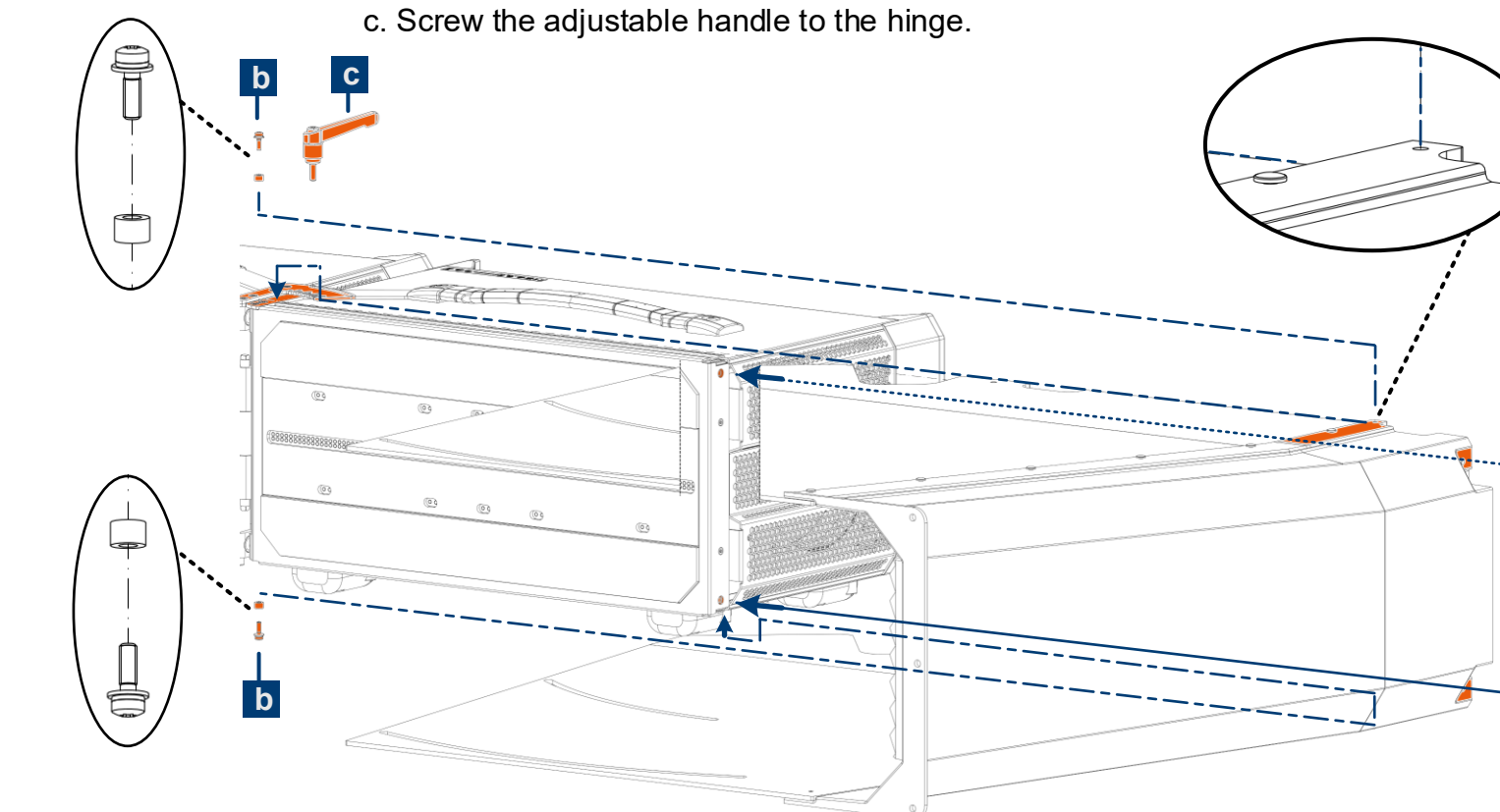
1 Remove handles
 Remove the handles (side and top) of all R&S®QAT in the setup.
 Keep all screws in a safe place. You are going to need them again in the next steps.



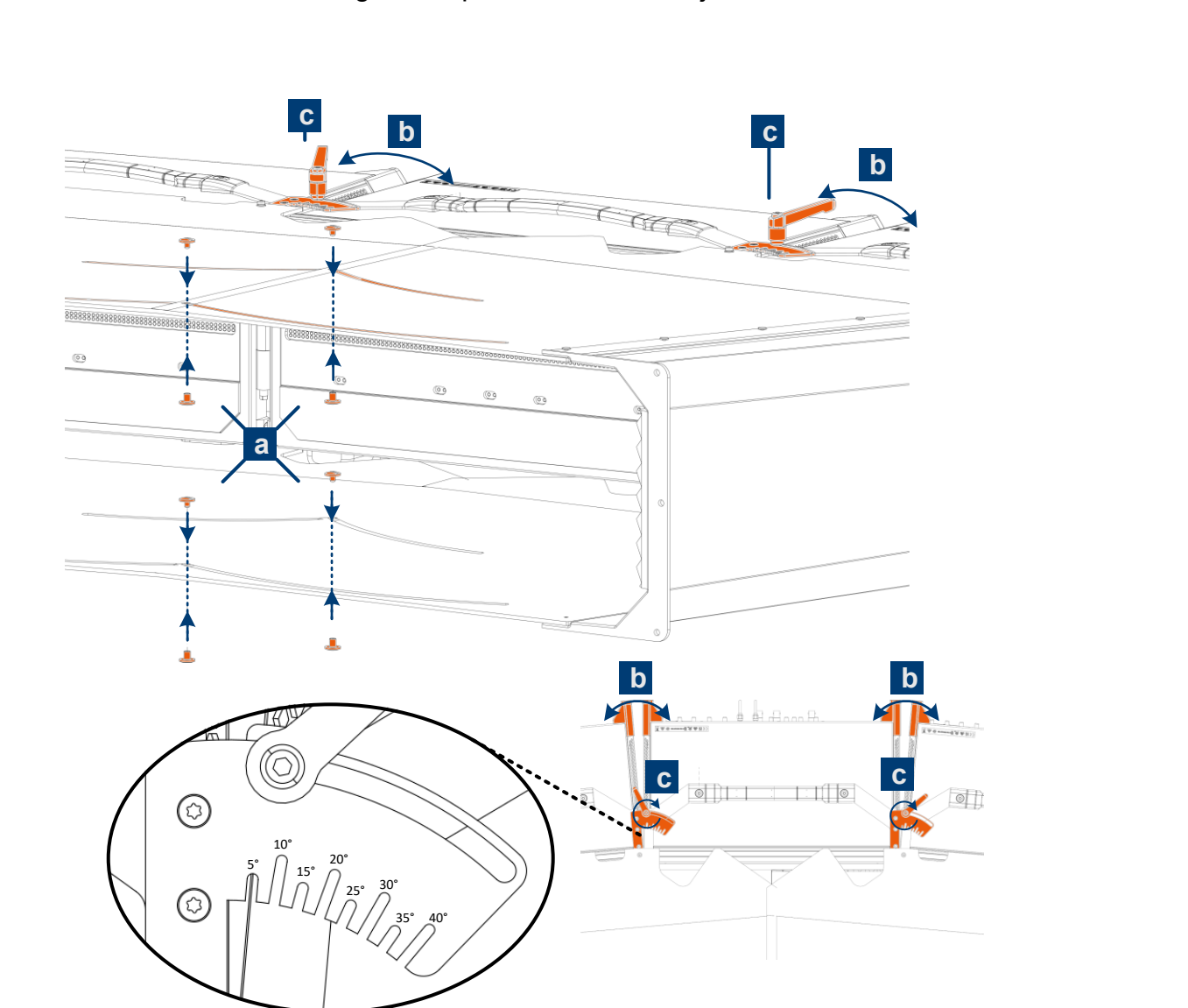
3 Add second and third R&S®QAT
 a. Screw the second R&S®QAT to the hinge on the left of the center R&S®QAT.
 b. Screw the third R&S®QAT to the hinge on the left of the center R&S®QAT.
 c. Reattach the top handles to both R&S®QAT.
 For all attachments, use the screws that originally held the handles.
 d. Arrange the R&S®QAT in as straight a line as possible.



5 Attach first shielding element
 Start with the element on the right.
 a. Screw the shielding element to the mounting holes that originally held the side handles.
 b. Screw the top and bottom of the shielding element to the right hinge.
 Insert a spacer between shielding element and instrument both on top and bottom.
 c. Screw the adjustable handle to the hinge.

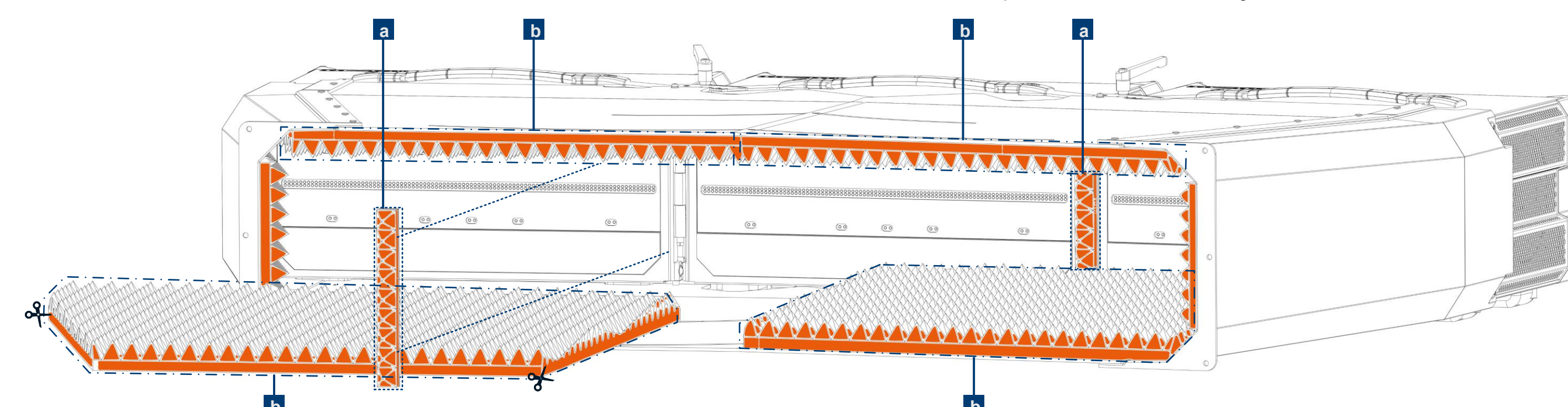


7 Align the setup
 a. Connect the two shielding elements by the two guiding rails on the top and the bottom with the bookbinding screws included in the delivery.
 b. Align the R&S®QATs by the hinges as required for your setup. Note that the angles at both hinges must be the same. The current angle is indicated on the upper side of the hinges. The shielding elements adjust themselves automatically.
 c. Lock the hinges into position with the adjustable handles.

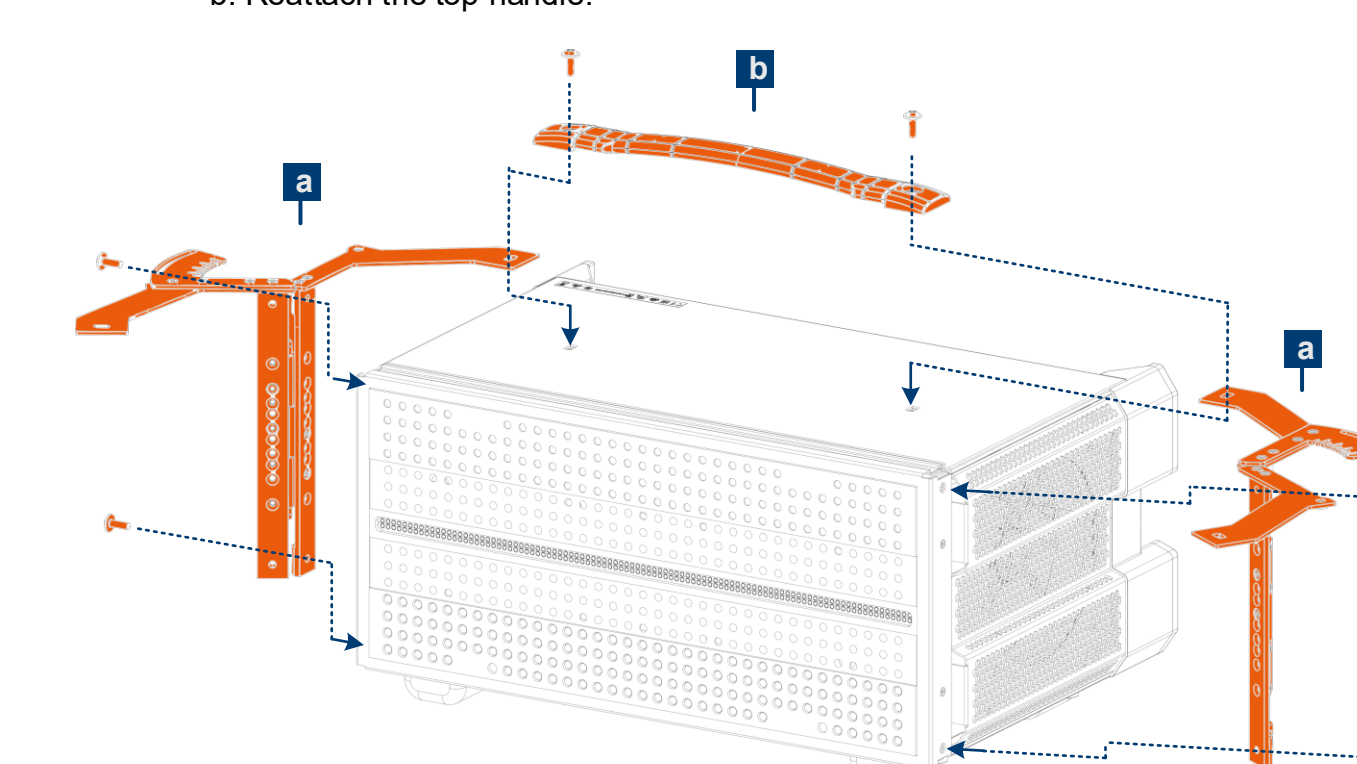


8 Finish the setup
 a. Clip the two small absorber strips to the front of the hinges between the R&S®QATs.
 b. Cut out the stencil on the left based on the angles between the R&S®QATs.
 c. Use the stencil to trim the large absorber plates.
 d. Stick the four absorber plates to the top and bottom of the shielding element with the velcro fasteners included in the delivery.

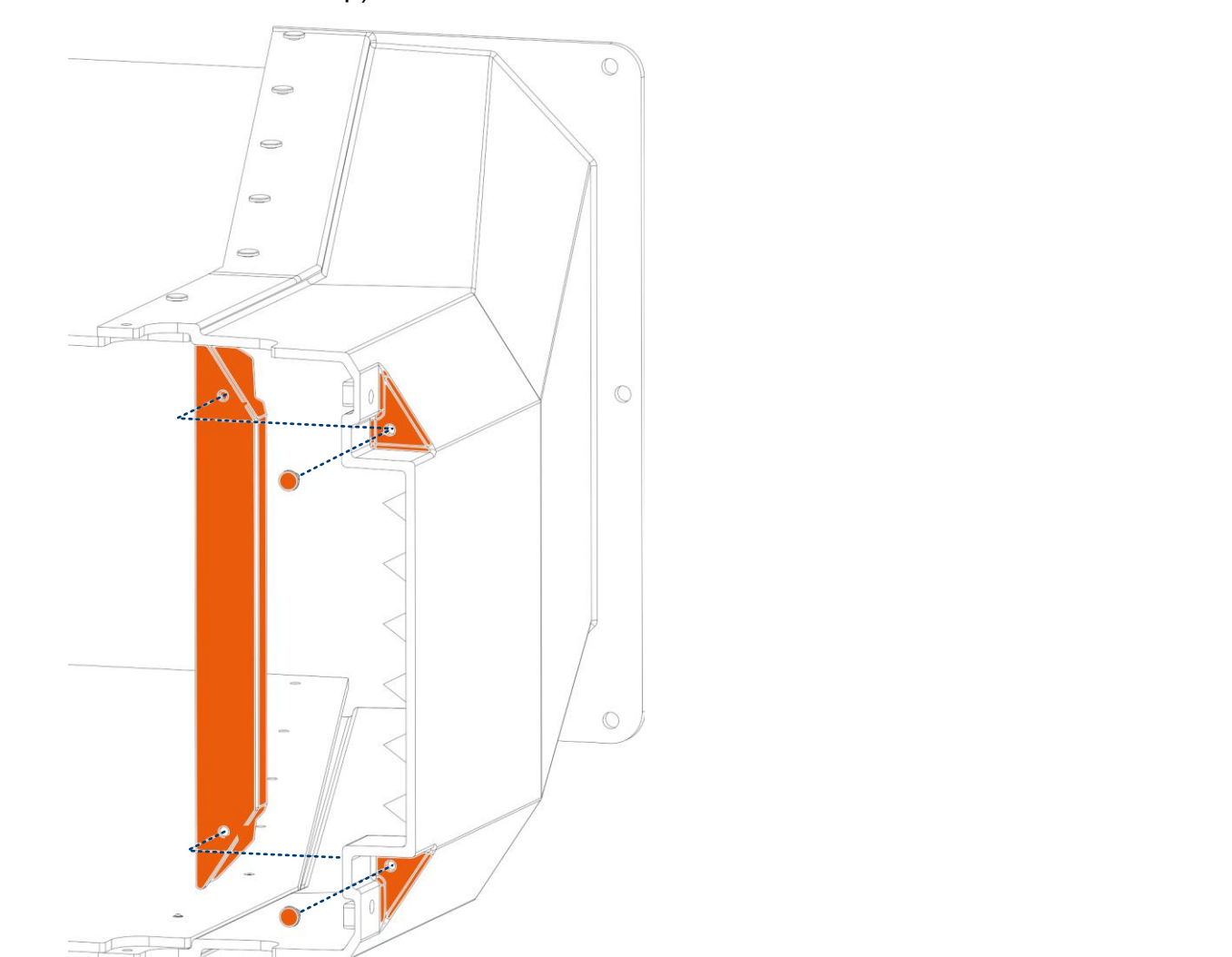
Tip:
 It is easier to attach the absorber plates from the big opening attached to the R&S®QATs. To do so, unscrew the complete shielding element (without disassembling it), attach the absorber plate and reattach the shielding element to the R&S®QATs.



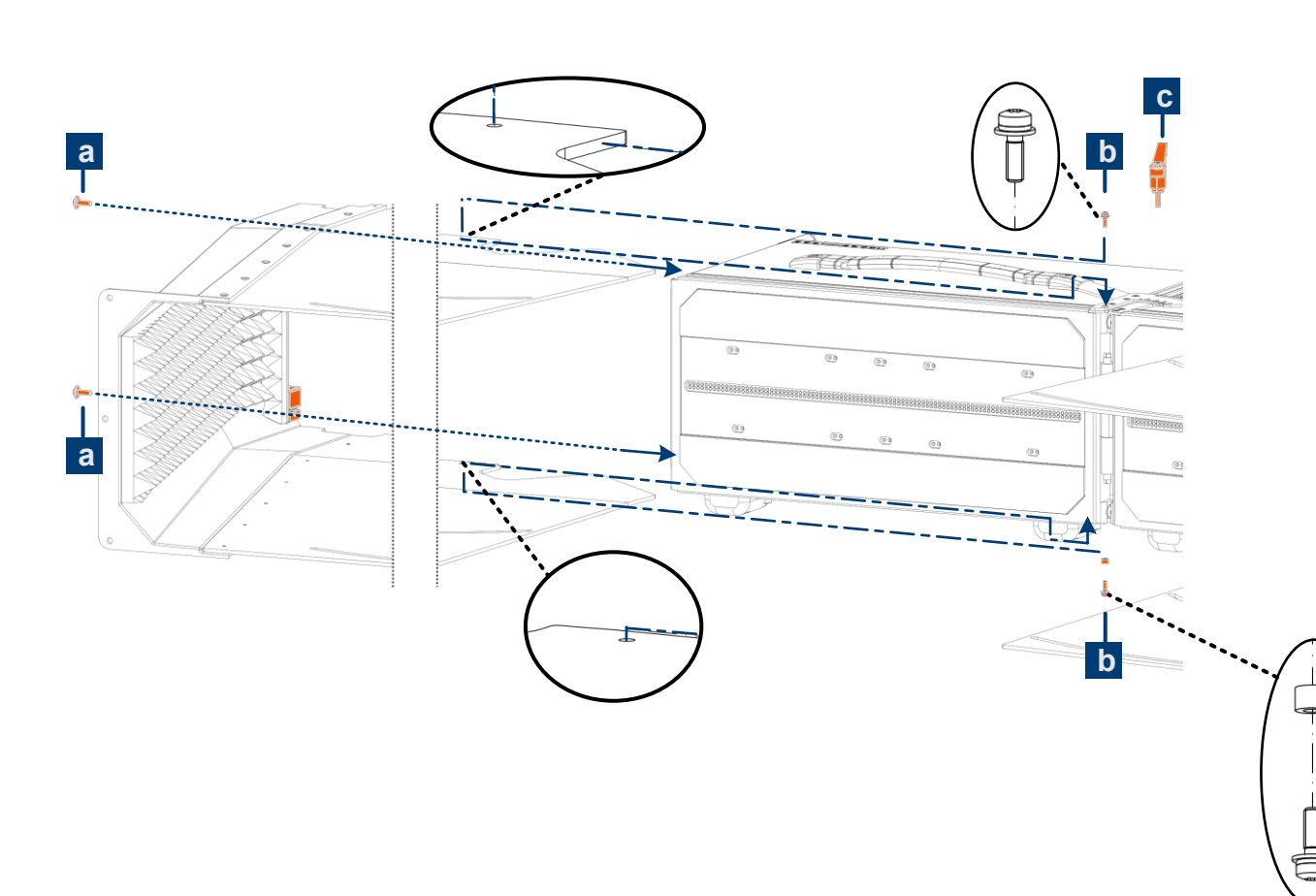
2 Prepare center device
 Prepare the R&S®QAT in the center of the setup.
 a. Screw one hinge to each side of the R&S®QAT.
 Use the screws that originally held the handles.
 b. Reattach the top handle.



4 Attach absorber strips
 Attach the absorber strips to the insides of the shielding elements.
 Use the plastic expanding rivets included in the delivery (two expanding rivets for each absorber strip).

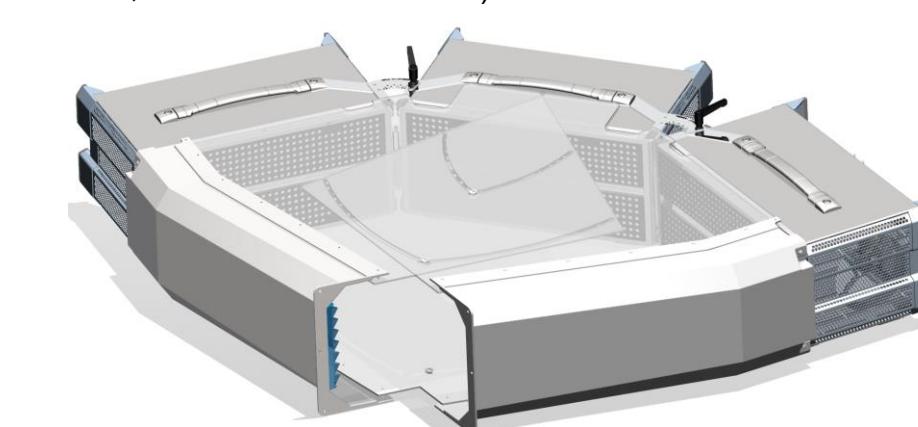


6 Attach second shielding element
 a. Screw the element to the mounting holes that originally held the side handles.
 b. Screw the top and bottom of the shielding element to the left hinge.
 Insert a spacer between shielding element and instrument only on the bottom.
 c. Screw the adjustable handle to the hinge.



R&S®QAT Shielding system Technical information

This technical information describes the installation of the R&S®QAT shielding system consisting of the R&S®QAT-Z6 (hinges, order no. 1341.0210.02) and the R&S®QAT-Z53 (shielding elements, order no. 1341.0191.02).



The optional shielding system for setups with three R&S®QAT in a row prevents the radar from receiving interfering signals from other radar devices and significantly reduces the amount of unwanted reflections from the environment. It also protects other devices against interference from the radar signals of the R&S®QAT.

For more information about different test setups, see the user manual of the R&S®QAT available on the internet.

i Using the R&S®QAT requires a shielded environment to protect other devices against interference from the radar signals transmitted by the R&S®QAT. Therefore, you must either attach the shielding system or use the R&S®QAT in an anechoic chamber or a faraday cage.
 Stop operating the R&S®QAT if you receive any reports of interference.

© 2022 Rohde & Schwarz GmbH & Co. KG
 Muehlbauer 15, 81671 Muenchen, Germany
 Phone: +49 89 41 25-0
 Email: info@rohde-schwarz.com
 Internet: www.rohde-schwarz.com

Subject to change – data without tolerance limits is not binding.
 R&S® is a registered trademark of Rohde & Schwarz GmbH & Co. KG.
 Trade names are trademarks of the owners.



1179.6066.02 - 02

