

R&S® SMW-ZKK COMBINER 40 GHz, R&S® SMW-ZKV COMBINER 67 GHz

Specifications



Data Sheet
Version 02.00

ROHDE & SCHWARZ

Make ideas real



CONTENTS

Definitions	3
Specifications.....	4
Mechanical data	4
Measurement range	4
Electrical data (cable)	4
Electrical data (combiner)	4
<i>Total loss over frequency</i>	5
<i>Isolation over frequency</i>	5
<i>VSWR over frequency</i>	5
General data.....	6
Ordering information	7

Definitions

General

Product data applies under the following conditions:

- Three hours storage at ambient temperature followed by 30 minutes warm-up operation
- Specified environmental conditions met
- Recommended calibration interval adhered to
- All internal automatic adjustments performed, if applicable

Specifications with limits

Represent warranted product performance by means of a range of values for the specified parameter. These specifications are marked with limiting symbols such as $<$, \leq , $>$, \geq , \pm , or descriptions such as maximum, limit of, minimum. Compliance is ensured by testing or is derived from the design. Test limits are narrowed by guard bands to take into account measurement uncertainties, drift and aging, if applicable.



Non-traceable specifications with limits (n. trc.)

Represent product performance that is specified and tested as described under “Specifications with limits” above. However, product performance in this case cannot be warranted due to the lack of measuring equipment traceable to national metrology standards. In this case, measurements are referenced to standards used in the Rohde & Schwarz laboratories.

Specifications without limits

Represent warranted product performance for the specified parameter. These specifications are not specially marked and represent values with no or negligible deviations from the given value (e.g. dimensions or resolution of a setting parameter). Compliance is ensured by design.

Typical data (typ.)

Characterizes product performance by means of representative information for the given parameter. When marked with $<$, $>$ or as a range, it represents the performance met by approximately 80 % of the instruments at production time. Otherwise, it represents the mean value.

Nominal values (nom.)

Characterize product performance by means of a representative value for the given parameter (e.g. nominal impedance). In contrast to typical data, a statistical evaluation does not take place and the parameter is not tested during production.

Measured values (meas.)

Characterize expected product performance by means of measurement results gained from individual samples.

Uncertainties

Represent limits of measurement uncertainty for a given measurand. Uncertainty is defined with a coverage factor of 2 and has been calculated in line with the rules of the Guide to the Expression of Uncertainty in Measurement (GUM), taking into account environmental conditions, aging, wear and tear.

Device settings and GUI parameters are designated with the format “parameter: value”.

Non-traceable specifications with limits, typical data as well as nominal and measured values are not warranted by Rohde & Schwarz.

In line with the 3GPP standard, chip rates are specified in million chips per second (Mcps), whereas bit rates and symbol rates are specified in billion bit per second (Gbps), million bit per second (Mbps), thousand bit per second (kbps), million symbols per second (Msps) or thousand symbols per second (ksps), and sample rates are specified in million samples per second (Msample/s). Gbps, Mcps, Mbps, Msps, kbps, ksps and Msample/s are not SI units.

Specifications

Mechanical data

Connector type (any port)	R&S®SMW-ZKK	2.92 mm, female
	R&S®SMW-ZKV	1.85 mm, female

Measurement range

Impedance		50 Ω
Frequency range	R&S®SMW-ZKK	1 GHz to 40 GHz
	R&S®SMW-ZKV	1 GHz to 67 GHz
Maximum input power	R&S®SMW-ZKK	30 dBm
	R&S®SMW-ZKV	30 dBm

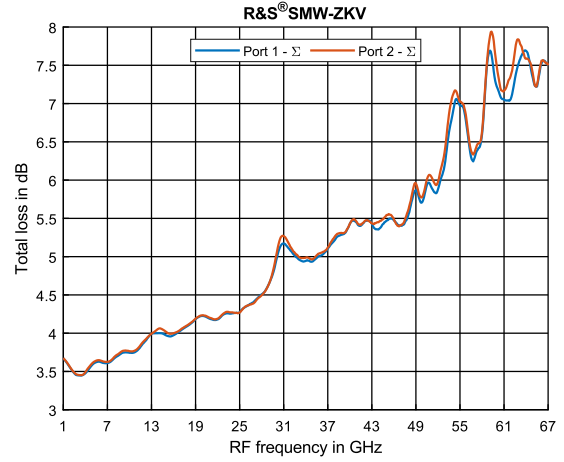
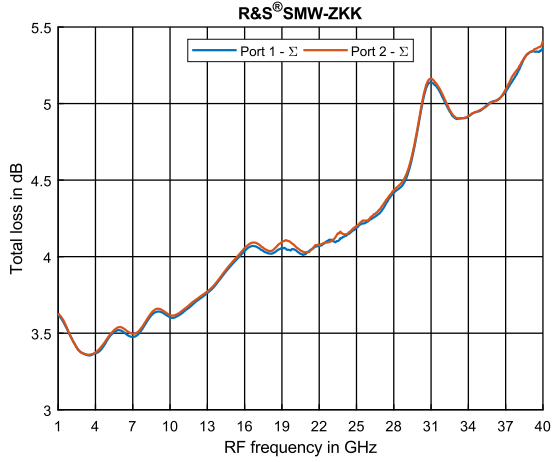
Electrical data (cable)

Parameter	Combiner	Frequency	Specification
Transmission loss	R&S®SMW-ZKK	0.1 GHz to 40 GHz	< 0.8 dB, < 0.4 dB (meas.)
	R&S®SMW-ZKV	0.1 GHz to 67 GHz	< 1.5 dB, < 0.5 dB (meas.)
Return loss	R&S®SMW-ZKK	0.1 GHz to 40 GHz	> 15 dB, > 20 dB (meas.)
	R&S®SMW-ZKV	0.1 GHz to 67 GHz	> 15 dB, > 20 dB (meas.)

Electrical data (combiner)

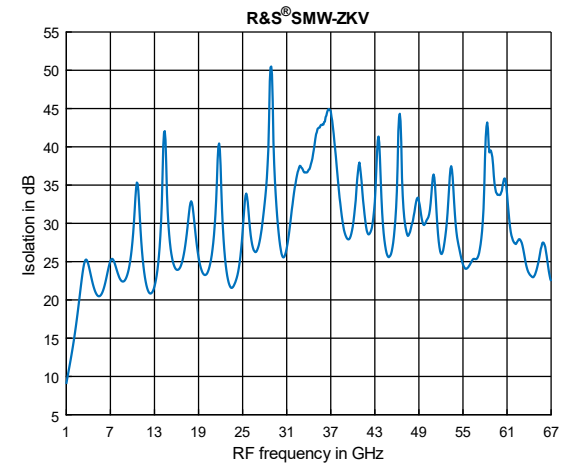
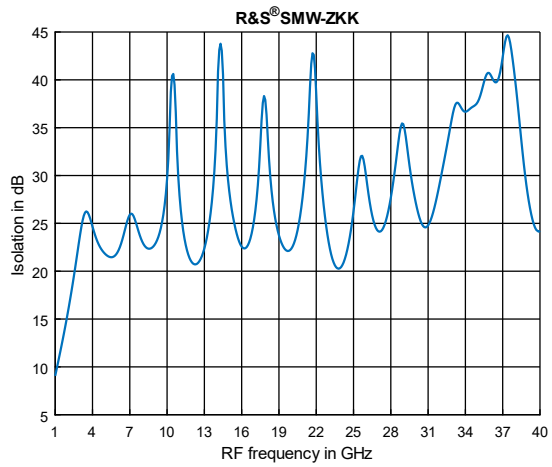
Parameter	Combiner	Frequency	Specification
Insertion loss above 3.0 dB	R&S®SMW-ZKK	1 GHz to 3 GHz	< 1.0 dB, < 0.6 dB (meas.)
		3 GHz to 20 GHz	< 2.0 dB, < 1.1 dB (meas.)
		20 GHz to 40 GHz	< 3.0 dB, < 2.3 dB (meas.)
	R&S®SMW-ZKV	1 GHz to 3 GHz	< 1.0 dB, < 0.7 dB (meas.)
		3 GHz to 20 GHz	< 2.0 dB, < 1.2 dB (meas.)
		20 GHz to 40 GHz	< 3.0 dB, < 2.4 dB (meas.)
		40 GHz to 50 GHz	< 3.5 dB, < 2.9 dB (meas.)
Isolation	R&S®SMW-ZKK	50 GHz to 67 GHz	< 5.0 dB, < 4.0 dB (meas.)
		1 GHz to 3 GHz	> 7.0 dB, > 9.0 dB (meas.)
		3 GHz to 20 GHz	> 18.0 dB, > 19.5 dB (meas.)
	R&S®SMW-ZKV	20 GHz to 40 GHz	> 18.0 dB, > 20.0 dB (meas.)
		1 GHz to 3 GHz	> 6.0 dB, > 9.0 dB (meas.)
		3 GHz to 20 GHz	> 18.0 dB, > 20.4 dB (meas.)
		20 GHz to 40 GHz	> 18.0 dB, > 21.4 dB (meas.)
VSWR (port 1 and port 2)	R&S®SMW-ZKK	40 GHz to 50 GHz	> 20.0 dB, > 25.0 dB (meas.)
		50 GHz to 67 GHz	> 20.0 dB, > 22.0 dB (meas.)
		1 GHz to 3 GHz	< 1.26 (meas.)
	R&S®SMW-ZKV	3 GHz to 20 GHz	< 1.25 (meas.)
		20 GHz to 40 GHz	< 1.25 (meas.)
		1 GHz to 3 GHz	< 1.23 (meas.)
		3 GHz to 20 GHz	< 1.20 (meas.)
VSWR (port Σ)	R&S®SMW-ZKK	20 GHz to 40 GHz	< 1.23 (meas.)
		40 GHz to 50 GHz	< 1.26 (meas.)
		50 GHz to 67 GHz	< 1.65 (meas.)
	R&S®SMW-ZKV	1 GHz to 3 GHz	< 1.80 (meas.)
		3 GHz to 20 GHz	< 1.80 (meas.)
		20 GHz to 40 GHz	< 1.31 (meas.)
		40 GHz to 50 GHz	< 1.24 (meas.)
VSWR (port Σ)	R&S®SMW-ZKK	50 GHz to 67 GHz	< 1.65 (meas.)
		1 GHz to 3 GHz	< 1.80 (meas.)
		3 GHz to 20 GHz	< 1.80 (meas.)
	R&S®SMW-ZKV	20 GHz to 40 GHz	< 1.31 (meas.)
		40 GHz to 50 GHz	< 1.34 (meas.)
		1 GHz to 3 GHz	< 1.80 (meas.)
		3 GHz to 20 GHz	< 1.25 (meas.)

Total loss over frequency



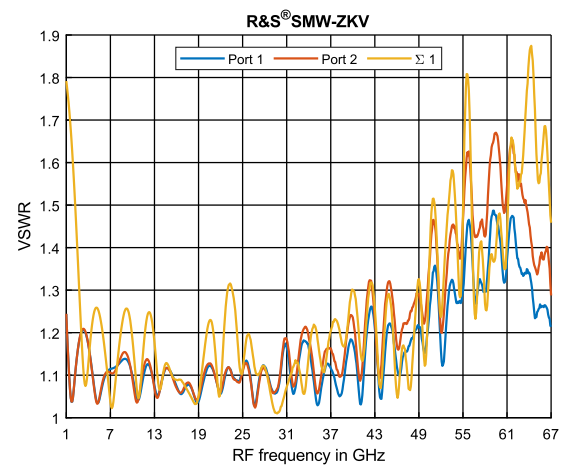
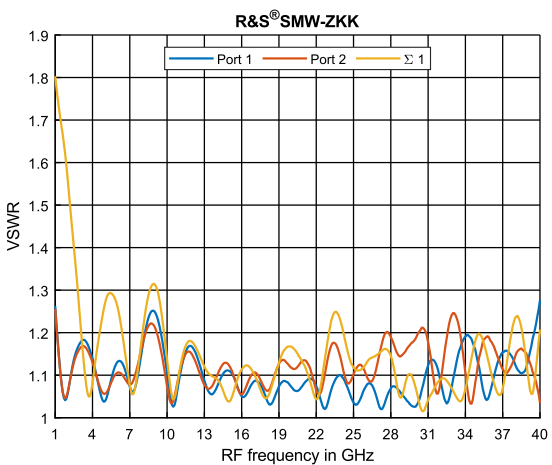
For R&S[®]SMW-ZKK (left) and R&S[®]SMW-ZKV (right)

Isolation over frequency



For R&S[®]SMW-ZKK (left) and R&S[®]SMW-ZKV (right)

VSWR over frequency

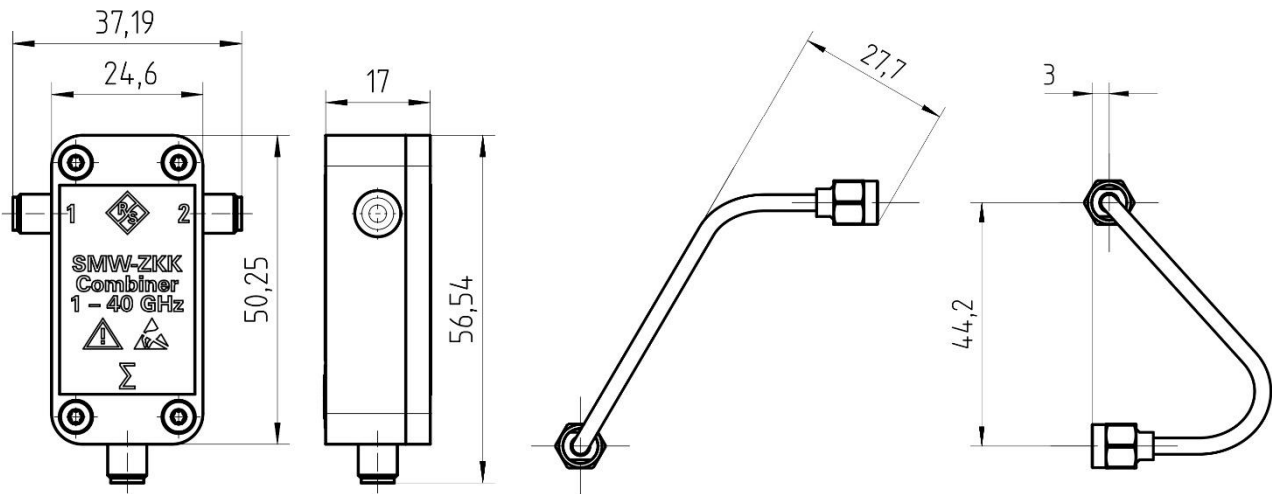


For R&S[®]SMW-ZKK (left) and R&S[®]SMW-ZKV (right)

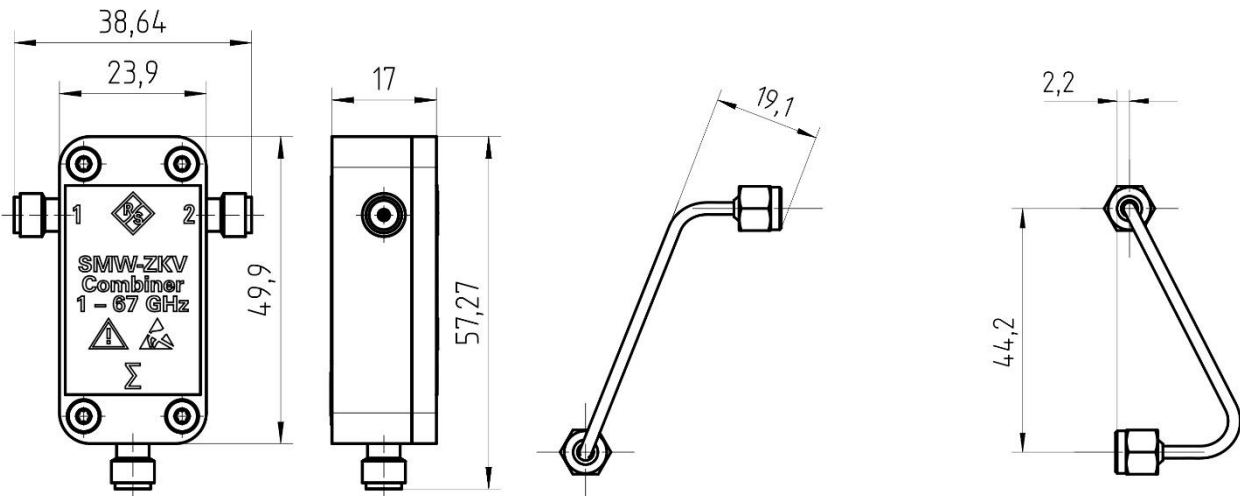
General data

Temperature loading	operating temperature range	+5 °C to +45 °C
	storage temperature range	-20 °C to +60 °C
Dimensions (W x H x D)	R&S®SMW-ZKK	37.2 mm x 56.5 mm x 17 mm (1.46 in x 2.23 in x 0.66 in)
	R&S®SMW-ZKV	38.6 mm x 57.3 mm x 17 mm (1.52 in x 2.26 in x 0.66 in)
Weight	R&S®SMW-ZKK	40 g (0.09 lb)
	R&S®SMW-ZKV	

Dimensions (in mm)



Front and side view of the R&S®SMW-ZKK combiner and cable



Front and side view of the R&S®SMW-ZKV combiner and cable

Ordering information

Designation	Type	Order No.
Combiner 40 GHz, 2.92 mm	R&S®SMW-ZKK	1434.7908.02
Combiner 67 GHz, 1.85 mm	R&S®SMW-ZKV	1434.7989.02

Service at Rohde & Schwarz You're in great hands

- ▶ Worldwide
- ▶ Local and personalized
- ▶ Customized and flexible
- ▶ Uncompromising quality
- ▶ Long-term dependability

Rohde & Schwarz

The Rohde&Schwarz technology group is among the trailblazers when it comes to paving the way for a safer and connected world with its leading solutions in test & measurement, technology systems, and networks & cybersecurity. Founded more than 85 years ago, the group is a reliable partner for industry and government customers around the globe. The independent company is headquartered in Munich, Germany and has an extensive sales and service network with locations in more than 70 countries.

www.rohde-schwarz.com

Sustainable product design

- ▶ Environmental compatibility and eco-footprint
- ▶ Energy efficiency and low emissions
- ▶ Longevity and optimized total cost of ownership

Certified Quality Management

ISO 9001

Certified Environmental Management

ISO 14001

Rohde & Schwarz training

www.training.rohde-schwarz.com

Rohde & Schwarz customer support

www.rohde-schwarz.com/support

