

R&S® ATYP KVM Console and Switch

Specifications



Data Sheet
Version 02.00

ROHDE & SCHWARZ

Make ideas real



Table of Contents

Table of Contents	2
List of Figures	3
1. Definitions	4
2. Introduction	5
3. R&S®ATYP Overview	6
4. Technical Specification	9
4.1. General Data	9
4.2. Physical Interfaces	10
4.3. Electromagnetic Compatibility (EMC)	11
4.4. Compliance	11
4.5. Electrical Conditions	11
4.6. Environmental Conditions	11
4.7. Mechanical Layout	12
5. Packing List	14

List of Figures

Figure 3.1: R&S®ATYP Overview - General View	6
Figure 3.2: R&S®ATYP Overview - Rear View	6
Figure 3.3: R&S®ATYP Overview - Cable	8
Figure 3.4: R&S®ATYP Overview - Standard Rack Mount Kit	8
Figure 4.1: R&S®ATYP Mechanical Layout - Dimensions	12
Figure 4.2: R&S®ATYP Mechanical Layout - Rack Plant / Dimensions	13

1. Definitions

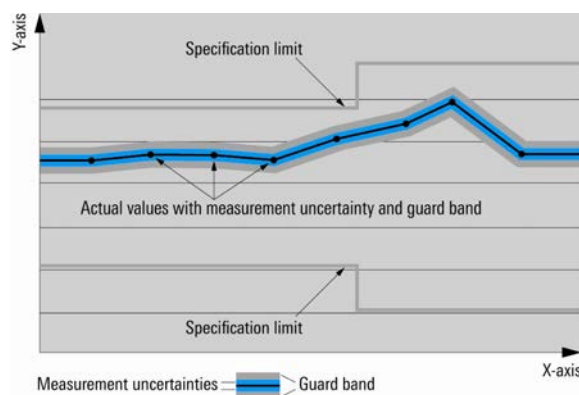
General

Product data applies under the following conditions:

- Three hours storage at ambient temperature followed by 30 minutes warm-up operation
- Specified environmental conditions met
- Recommended calibration interval adhered to
- All internal automatic adjustments performed, if applicable

Specifications with limits

Represent warranted product performance by means of a range of values for the specified parameter. These specifications are marked with limiting symbols such as $<$, \leq , $>$, \geq , \pm , or descriptions such as maximum, limit of, minimum. Compliance is ensured by testing or is derived from the design. Test limits are narrowed by guard bands to take into account measurement uncertainties, drift and aging, if applicable.



Specifications without limits

Represent warranted product performance for the specified parameter. These specifications are not specially marked and represent values with no or negligible deviations from the given value (e.g. dimensions or resolution of a setting parameter). Compliance is ensured by design.

Typical data (typ.)

Characterizes product performance by means of representative information for the given parameter. When marked with $<$, $>$ or as a range, it represents the performance met by approximately 80 % of the instruments at production time. Otherwise, it represents the mean value.

Nominal values (nom.)

Characterize product performance by means of a representative value for the given parameter (e.g. nominal impedance). In contrast to typical data, a statistical evaluation does not take place and the parameter is not tested during production.

Measured values (meas.)

Characterize expected product performance by means of measurement results gained from individual samples.

Uncertainties

Represent limits of measurement uncertainty for a given measurand. Uncertainty is defined with a coverage factor of 2 and has been calculated in line with the rules of the Guide to the Expression of Uncertainty in Measurement (GUM), taking into account environmental conditions, aging, wear and tear.

Device settings and GUI parameters are indicated as follows: "parameter: value".

Typical data as well as nominal and measured values are not warranted by Rohde & Schwarz.

2. Introduction

The R&S®ATYP KVM Console and Switch represents a control unit that allows access to multiple computers from a single PS/2 or USB KVM (keyboard, video, and mouse) console. A single device can control up to 8 computers. As many as 31 additional KVM switches can be daisy-chained to the device, so that up to 256 computers can all be controlled from a single KVM console.

The R&S®ATYP KVM Console and Switch offers a space-saving, streamlined approach to KVM switch technology by integrating a keyboard, 17" LED-backlit LCD monitor, and touchpad in a 1U rack-mountable sliding housing.

The R&S®ATYP KVM Console and Switch is built on a modular design, making it possible to detach the KVM section from the switch section for convenient maintenance and repair.

3. R&S® ATYP Overview

The figures below illustrate the physical appearance of the device.

Figure 3.1: R&S® ATYP Overview - General View



Figure 3.2: R&S® ATYP Overview - Rear View



The main features of the device are detailed in the table below:

LED illumination light	Keyboard and touchpad allow visibility in lowlight conditions
KVM console	Integrated 17" LED-backlit LCD monitor in a Slideaway™ housing
Fingerprint identification reader	Available with or without
Space saving technology	Up to two consoles (one bus) control up to 8 computers
Daisy-chain up to 31 additional units	Control up to 256 computers from a single console
Dual interface	Supports computers and console with PS/2 or USB keyboards and mice
LCD module	USB port allows each computer to access USB peripherals
	Rotates up to 115 degrees for a more comfortable viewing angle
Multiplatform support	Windows, Linux, Mac, and Sun

Multimedia	Supports USB keyboards for PC, Mac and Sun
PS/2 and USB interface detection	Automatic
Keyboard and mouse emulation	PS/2 and USB, for smooth switching and simultaneous booting of multiple computers even when the console focus is elsewhere
USB mouse	Supports external USB mouse
Video quality	Superior, supports resolutions up to 1 280 x 1 024 at 75 Hz
Software required	None required, convenient computer selection via front panel pushbuttons, hotkeys and multilingual onscreen display (OSD) menus
Switch setting	Auto-senses station's position on daisy-chained installations; no need for manual dip switch setting; front panel led indicates station's position
Port name reconfiguration	Automatic reconfiguration when station sequence is changed
Password security	Two level, only authorized users can view and control computers
User accounts	Supports one administrator and four user accounts with separate profiles
Auto scan mode	Yes, enables continuous monitoring of user-selected computers
Broadcast support	Commands from the keyboard can be broadcast to all available computers on the installation
Hot pluggable	Yes, add or remove computers without having to power down the switch
Beeper on/off	Via hotkey and OSD
Firmware upgrades	To all the chained KVM switches at the same time via the daisy-chain cable
Keyboard language	Supports English (US), English (UK), French, German, German (Swiss), Greek, Hungarian, Italian, Japanese, Korean, Russian, Spanish, Swedish and Traditional Chinese

The figure below illustrates the physical appearance of the cable that accompanies the R&S®ATYP KVM Console and Switch.

Figure 3.3: R&S®ATYP Overview - Cable



The R&S®ATYP KVM Console and Switch is provided with a single person easy installation rack mount kit, which streamlines the rack mounting process.

Figure 3.4: R&S®ATYP Overview - Standard Rack Mount Kit



4. Technical Specification

4.1. General Data

Manufacturer	ATEN International Co., Ltd.
KVM Console and Switch	
KVM Console and Switch manufacturer PN	CL5708M-ATA-AG
Housing	Metal and plastic, sliding
Weight	13.47 kg
Dimensions (L x W x H)	48.00 cm x 64.27 cm x 4.40 cm
Direct computer connections	8
Maximum computer connections	256 (via Daisy-chain)
Port selection	OSD, hotkeys, pushbuttons
Keyboard / Mouse emulation	PS/2, USB
Video resolution	1 280 x 1 024 at 75 Hz; DDC2B
Scan interval (OSD select)	1 sec. to 255 sec.
I/P rating	100 V AC to 240 V AC, 50/60 Hz, 1 A
Cable	
Cable manufacturer PN	2L-5202U
Length	1.8 m
Thickness	Slim
Type	3 in 1 SPDH
Rack Mount Kit	
Rack Mount Kit manufacturer PN	2X-010G
Type	Long
Depth	68 cm to 105 cm

4.2. Physical Interfaces

Connectors	
External console port	1 x SPHD-18 male (yellow)
External mouse port	1 x USB Type-A female (white)
KVM ports	8 x SPHD-15/17 female (yellow)
Daisy-chain port	1 x DB-25 male (black)
Firmware upgrade	1 x RJ-11 female (black)
Power	1 x 3-prong AC socket
USB port	1 x USB type-A (female)
LEDs	
On line	8 (orange)
Port ID	2 x 7-segment LED display (orange)
Station ID	2 x 7-segment LED display (orange)
Power	1 (dark green)
Lock	Num: 1 (Green)
	Caps: 1 (Green)
	Scroll: 1 (Green)
Switches / Buttons	
Reset	1 x Semi-recessed pushbutton
Power	1 x Rocker switch
Firmware upgrade	1 x Slide
LCD adjust	4 x Pushbutton
LCD on/off	1 x LED pushbutton (orange)
Port selection	2 x Pushbutton
Station selection	2 x Pushbutton
Grounding terminal	Yes
Cable	
PC/Source interface	VGA HDB-15 male
	PS/2 6 pin mini-DIN male
Switch interface	KVM port 3 in 1 SPHD-15 male (keyboard / mouse / video)

4.3. Electromagnetic Compatibility (EMC)

Compliance	In line with FCC Part 15 Class A
------------	----------------------------------

4.4. Compliance

RoHS	Compliant
------	-----------

4.5. Electrical Conditions

Power consumption	120 V, 15.2 W / 230 V, 16 W
-------------------	-----------------------------

4.6. Environmental Conditions

Operating temperature	0° C to 50° C
Storage temperature	-20° C to 60° C
Humidity	0 % to 85 % RH, non-condensing

4.7. Mechanical Layout

Figure 4.1: R&S® ATYP Mechanical Layout - Dimensions

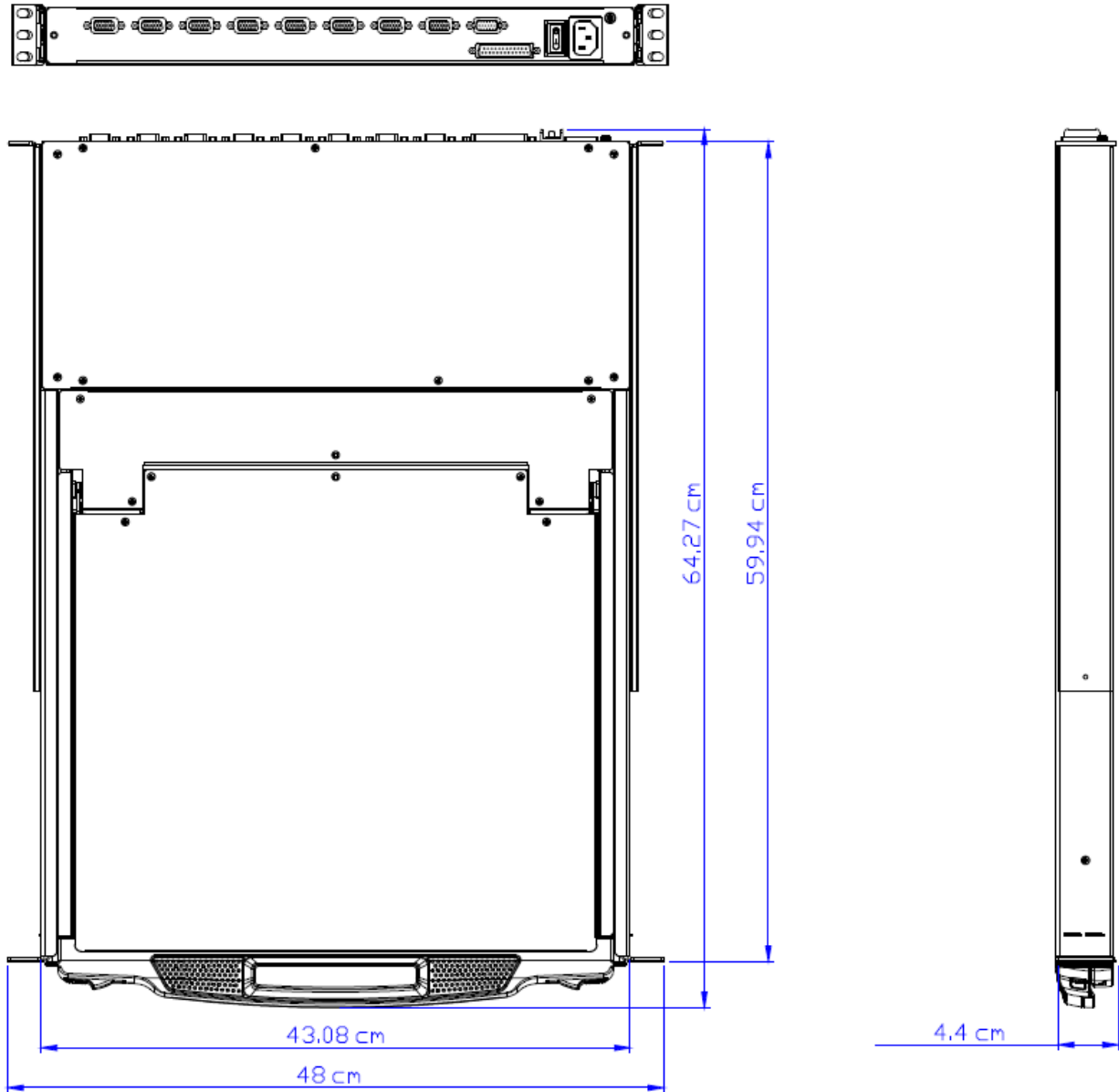
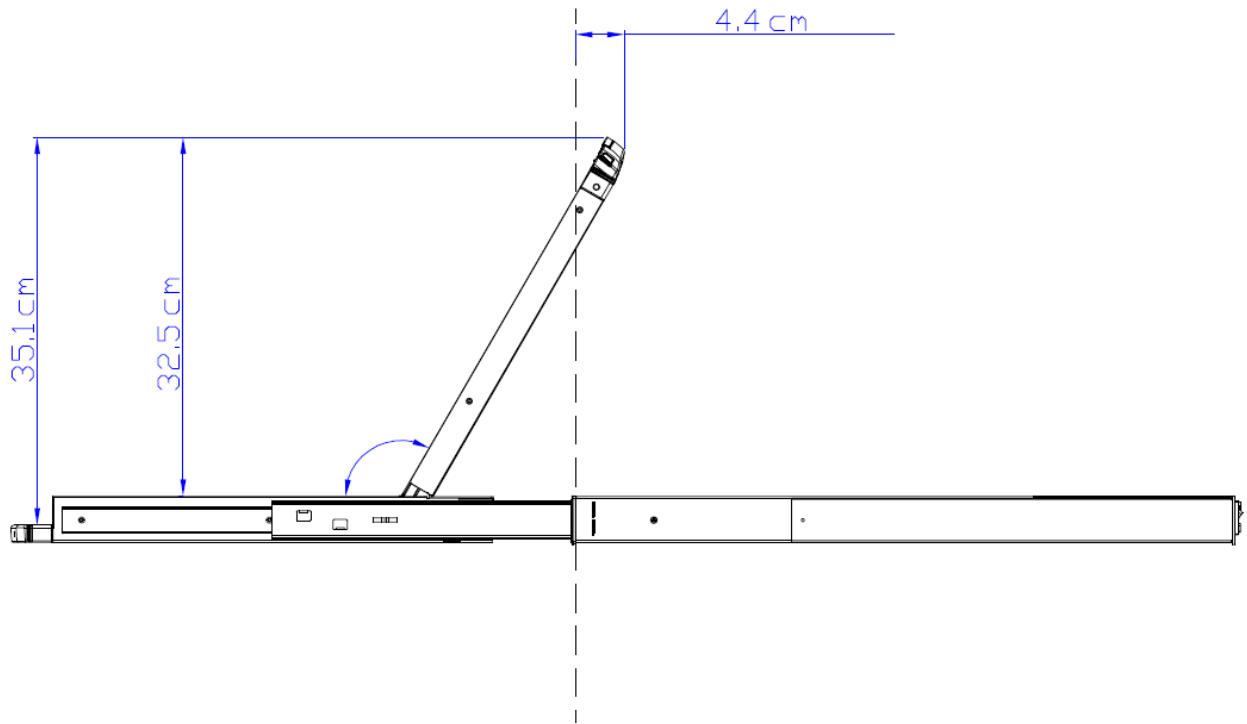


Figure 4.2: R&S® ATYP Mechanical Layout - Rack Plant / Dimensions



5. Packing List

Item	Pcs.
KVM Console and Switch / ATYP / CP2048.4 / 6202.3765.00	1
USB Cable, 1.8 m	8
Rack Mount Kit	1

Page intentionally left blank.

Service that adds value

- ▶ Worldw ide
- ▶ Local and personalized
- ▶ Customized and flexible
- ▶ Uncompromising quality
- ▶ Long-term dependability

Rohde & Schwarz

The Rohde & Schwarz technology group is among the trailblazers when it comes to paving the way for a safer and connected world with its leading solutions in test & measurement, technology systems and - networks & cybersecurity. Founded more than 85 years ago, the group is a reliable partner for industry and government customers around the globe. The independent company is headquartered in Munich, Germany and has an extensive sales and service network with locations in more than 70 countries.

www.rohde-schwarz.com

Sustainable product design

- ▶ Environmental compatibility and eco-footprint
- ▶ Energy efficiency and low emissions
- ▶ Longevity and optimized total cost of ownership

Certified Quality Management

ISO 9001

Certified Environmental Management

ISO 14001

Rohde & Schwarz training

www.training.rohde-schwarz.com

Rohde & Schwarz customer support

www.rohde-schwarz.com/support