



# R&S® HA-Z801 HORIZONTAL RACKMOUNT SENSOR MANAGER

19", one height unit



### Tidily holds up to two sensors

The R&S®HA-Z801 horizontal rackmount sensor manager supports up to two units of R&S®NRPxx sensors and/or R&S®FS-SNSxx noise sources on the front side of the 19" rack cabinet. The sensor manager, made of stable and corrosion-resistant aluminum, is durable and able to withstand the rigors of a busy environment. It is a well-organized, no-mess accessory for a standard 19" rackmount that provides storage and easy access.

With its fit-for-purpose design, the R&S®HA-Z801 is a functional accessory that offers an aesthetic improvement while allowing users to work more efficiently. The sensor manager can be easily and securely fastened to a 19" system rack. The sensor holders on the R&S®HA-Z801 are well matched to the corresponding Rohde&Schwarz sensors and noise sources, thus improving organization and space efficiency. The R&S®HA-Z801 also facilitates work safety by reducing clutter and minimizing the risk of tripping over connected cables.

The perfect choice for

Aerospace and defense

Test houses and system integrators

RF and microwave components

Wireless and mobile communications

### Key specifications

|  |                                       |
|--|---------------------------------------|
| Maximum number of sensors supported on one R&S®HA-Z801 | 2                                     |
| Mounting   | approx. 3.0 mm                        |
| Color  | gray, RAL 7047 HR                     |
| Material, compliant                                    | aluminum, RoHS                        |
| Dimensions, W x H x D                                  | 482.6 mm x 43 mm x 38.5 mm, 19", 1 HU |
| Weight   | 330 g                                 |

| Your benefit                | Features of the R&S®HA-Z801  |
|-----------------------------|--|
| Ease of use                 | <ul style="list-style-type: none"> <li>▶ Simplifies the process of adding, removing or adjusting the system design and integration</li> <li>▶ Scalable</li> <li>▶ Increases productivity and efficiency by saving time spent searching for items</li> </ul>  |
| Enhanced professional image | <ul style="list-style-type: none"> <li>▶ Enables a neat and organized setup</li> <li>▶ Adheres to best practice for equipment</li> <li>▶ Cost savings; protects equipment and reduces risk of damage and/or loss requiring replacement</li> </ul>  |
| Versatile and durable       | <ul style="list-style-type: none"> <li>▶ Suitable for various applications that use a rack installation, e.g. EMS test solutions</li> <li>▶ Compatible with most Rohde&amp;Schwarz power sensors and noise sources</li> <li>▶ Supports most 19" rackmountable equipment</li> <li>▶ Made of corrosion-free aluminum for durability and sturdiness</li> <li>▶ Long-lasting use; powder-coated paint</li> <li>▶ High quality, fit for purpose, made in Germany</li> </ul> |



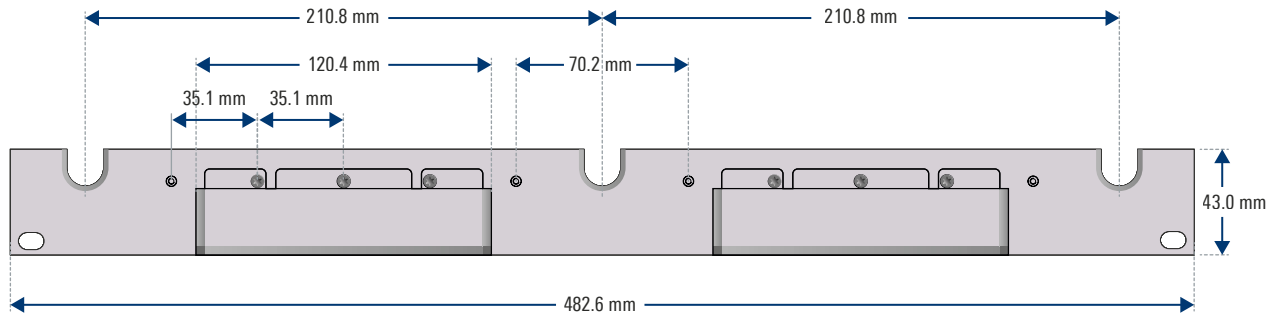
For options, prices and more information, visit [www.rohde-schwarz.com](http://www.rohde-schwarz.com)

## R&S®HA-Z801 deliverables

- ▶ Universal 19" fit: The 1U horizontal rackmount sensor manager is designed to be mounted in any standard front mount 19" system rack or cabinet
- ▶ Durable in design: Made and constructed with stable and corrosion-resistant aluminum ensuring long-term durability
- ▶ Shipped partially assembled
- ▶ Supports total weight load of 5 kg
- ▶ Fully designed, manufactured and produced in Germany
- ▶ Delivery consists of:
  - One bespoke, powder-coated painted 1 HU steel panel with mounting holes (color: gray, RAL7047 HR)
  - Two power sensor holders for panel including screws



## R&S®HA-Z801 dimensions



## Ordering information

| Designation                                    | Type        | Order No.    |
|--|-------------|--------------|
| Horizontal rackmount sensor manager, 19", 1 HU | R&S®HA-Z801 | 3715.2545.02 |

## Supported Rohde & Schwarz power sensors and noise sources

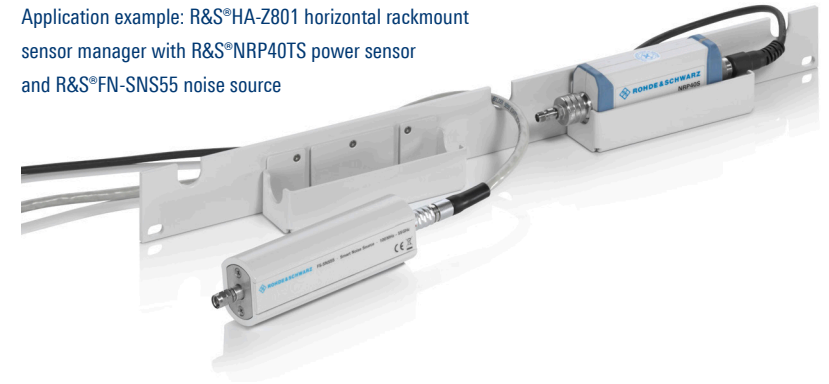
### RF and microwave power sensors

- ▶ R&S®NRPxxS, R&S®NRPxxSN (xx = 8, 18, 33, 40, 50, 67, 90)
- ▶ R&S®NRPxxP (xx = 18, 40, 50)
- ▶ R&S®NRPxxA, R&S®NRPxxAN (xx = 6, 18)
- ▶ R&S®NRPxxT, R&S®NRPxxTN, R&S®NRPxxTWG, R&S®NRPxxTWGN (xx = 18, 33, 40, 50, 67, 75, 90, 110, 170)
- ▶ R&S®NRP-Z2x1 (x = 1, 2)

### Smart noise sources

- ▶ R&S®FS-SNSxx (xx=18/26/40/55/67/90/110)

Application example: R&S®HA-Z801 horizontal rackmount sensor manager with R&S®NRP40TS power sensor and R&S®FN-SNS55 noise source



## Rohde & Schwarz GmbH & Co. KG

[www.rohde-schwarz.com](http://www.rohde-schwarz.com) | [www.rohde-schwarz.com/support](http://www.rohde-schwarz.com/support) | [www.training.rohde-schwarz.com](http://www.training.rohde-schwarz.com)

R&S® is a registered trademark of Rohde & Schwarz | Trade names are trademarks of the owners

R&S®HA-Z801 horizontal rackmount sensor manager

PD 3673.0840.32 | Version 01.00 | August 2024 (ch)

Data without tolerance limits is not binding | Subject to change

© 2024 Rohde & Schwarz | 81671 Munich, Germany