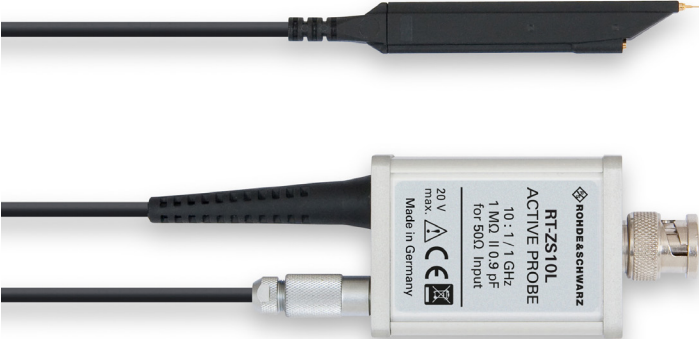


R&S® RT-ZS10L

Active Probe

Benutzerhandbuch

User Manual



1333081502

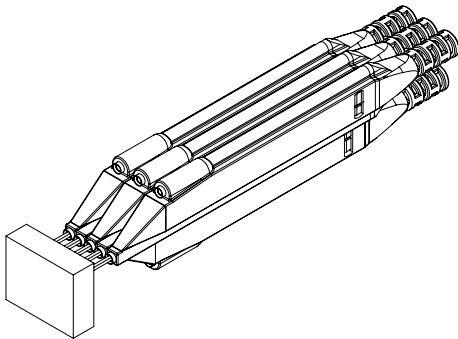
About the Probe RT-ZS10L

Rohde & Schwarz presents a unique Inline Probing System – the RT-ZS10L active probe which can contact adjacent square pins in 2.54 mm pitch simultaneously. The probe's housing is T-shaped so that many probes can be positioned next to each other in a never ending chain.

Like this a number of measurements can be performed at the same time. The RT-ZS10L active probe is system-independent and its standard BNC connector can be plugged onto any measuring instrument with a 50Ω input.

With an input resistance of 1 MΩ and an input capacitance of 0.9 pF the RT-ZS10L active probe is suitable for measurements in all frequency ranges. Compared to passive probes the RT-ZS10L active probe offers a high input impedance into the GHz-range. Passive probes with their relative high input capacitance load the signal source already at frequencies above 100 kHz.

That's why the RT-ZS10L active probe with its high input resistance and its low input capacitance is the ideal probe for most of your daily measurements.



The RT-ZS10L testing adjacent pins in 2.54 mm Pitch

Included in delivery

The following items are included in the scope of delivery. Please check the delivery for completeness. If any item is missing, send a message to our service department and we will send you this item immediately.

Item	Qty
Instruction Manual	1
Spring Tip 0.5 mm	1
Solid Tip 0.5 mm	1
Ground Blade	1
Marker Bands 4 colors	1
L-In Adapter	1
Ground Lead 6 cm	1
Ground Lead 12 cm	1
Ground Lead 90° 5cm	1
Ground Lead 90° 10cm	1
Power Supply	1
Picohook™ black	1
Picohook™ red	1
Protection Cap 2.5	1
self adhesive Cu Pad (2 x 2 cm)	2
Probe	1
Y-Lead Adapter to 0.8mm sockets	1
Z-Ground	1



Use ground lead only for connections to earth ground



The accessories provided with the probe have been safety tested. Do not use any other accessories than those "originally" provided.

Safety Information RT-ZS10L

To avoid personal injury and to prevent fire or damage to this product or products connected to it, review and comply with the following safety precautions. Be aware that if you use this probe assembly in a manner not specified the protection this product provides may be impaired.

- Only qualified personnel should use this probe assembly.
- Use only grounded instruments.
- Do not connect the probe ground lead to a potential other than earth ground. Always make sure the probe and the measurement instrument are grounded properly.
- Connect and disconnect properly.
- Connect the probe output to the measurement instrument and connect the ground lead to earth ground before connecting the probe to the circuit under test. Disconnect the probe input and the probe ground lead from the circuit under test before disconnecting the probe from the measurement instrument.
- Do not apply any electrical potential to the probe input which exceeds the maximum ratings of the probe.
- Make sure to comply with the voltage versus frequency derating curve.
- Keep away from live circuits.
- Avoid open circuitry. Do not touch connections or components when power is present.
- Do not operate with suspected failures.
- Refer to qualified service personnel.
- Indoor use only.
- Do not operate in wet/damp environment. Keep product surfaces dry and clean.

- Do not operate the product in an explosive atmosphere.

Safety symbols

The following symbols may appear on the product or in this manual:



Caution, risk of danger
Refer to manual



Caution, risk of electric shock



Earth (ground) terminal

General

Operating Basics

When using this active probe device make sure the measuring instrument is set to 50 Ω input coupling and the probe is connected to the power supply.

In order to get best measurement results please make sure that the power cord has the maximum possible distance to the probe tip.

Handling

Note that the probe cable is a sensitive part of the probe. Do not damage through excessive bending or pulling. Avoid mechanical shock to this product in general to guarantee accurate performance and protection.

Cleaning

To clean the exterior of the probe use a soft cloth moistened with either distilled water or isopropyl alcohol. Before use allow the probe to dry completely.

Warranty and repair

Our instruments are subject to strict quality controls. Prior to leaving the manufacturing site, each instrument undergoes a 10-hour burn-in test. This is followed by extensive functional quality testing to examine all operating modes and to guarantee compliance with the specified technical data. The testing is performed with testing equipment that is calibrated to national standards. The statutory warranty provisions shall be governed by the laws of the country in which the product was purchased. In case of any complaints, please contact your supplier.

Any adjustments, replacements of parts, maintenance and repair may be carried out only by authorized technical personnel. Only original parts may be used for replacing parts relevant to safety (e.g. power switches, power transformers, fuses). A safety test must always be performed after parts relevant to safety have been replaced (visual inspection, PE conductor test, insulation resistance measurement, leakage current measurement, functional test). This helps to ensure the continued safety of the product.



The product may only be opened by authorized and qualified personnel. Prior to working on the product or before the product is opened, it must be disconnected from the AC supply network. Otherwise, personnel will be exposed to the risk of an electric shock.

