

R&S® HZN96

19 Inch Rack Adapter 2HU

Assembly Instruction, English



1178891302
Version 04

ROHDE & SCHWARZ
Make ideas real



The assembly instruction describes the installation of the R&S SMCV100B or instruments of the R&S NGx series in a 19 inches rack using the R&S HZN96 Rack adapter 2HU, (3638.7813.02). It is designed for installation of the following instruments and models:

- R&S®NGA101 One-channel 35V/6A power supply 40 W (5601.8002.02)
- R&S®NGA102 Two-channel 35V/6A power supply 80 W (5601.8002.04)
- R&S®NGA141 One-channel 100V/2A power supply 40 W (5601.8002.03)
- R&S®NGA142 Two-channel 100V/2A power supply 80 W (5601.8002.05)
- R&S®NGL201 Single-channel power supply (3638.3376.02)
- R&S®NGL202 Two-channel power supply (3638.3376.03)
- R&S®NGM201 Single-channel power supply (3638.4472.02)
- R&S®NGM202 Two-channel power supply (3638.4472.03)
- R&S®NGU201 Two-quadrant source measure unit (3639.3763.02)
- R&S®NGU401 Four-quadrant source measure unit (3639.3763.03)
- R&S®SMCV100B Vector signal generator (1432.7000.02)

© 2021 Rohde & Schwarz GmbH & Co. KG

Mühlhofstr. 15, 81671 München, Germany

Phone: +49 89 41 29 - 0

Email: info@rohde-schwarz.com

Internet: www.rohde-schwarz.com

Subject to change – data without tolerance limits is not binding.

R&S® is a registered trademark of Rohde & Schwarz GmbH & Co. KG.

Trade names are trademarks of the owners.

1178.8913.02 | Version 04 | R&S®HZN96

Throughout this manual, the products from Rohde & Schwarz are indicated without the ® symbol, e.g. R&S®HZN96 is indicated as R&S HZN96. The products intended for installation are referred to as instruments or units.

1 Description

The R&S HZN96 Rack adapter 2HU is designed for installing the R&S SMCV100B Rack adapter 2HU or units of the R&S NGx series in 19 inches systems. The dimensions of the rackmount kits are designed according to the 19 inches standard DIN 60297-3-101.

There are different mounting options provided:

- Two units next to each other.
- One unit plus a blind cover (included).



Notes on mounting instruments on top of each other in a rack

Consider that in the R&S®NGAxxx series, the voltage selector for the mains on the underside protrudes slightly beyond the bottom panel. Therefore, it is not possible to mount the instruments directly on top of each other in the rack.

Keep a gap of at least 1HU. To close the gap in the rack, you can attach a blind cover, for example.

For the installation of the racks in 19 inches cabinets, rails must be used.

The R&S HZN96 Rack adapter 2HU is supplied without front handles. However, it can be retrofitted at any time with handles. Thus, you can define the look of the handles individually. You can use all standard handle bars with 55 mm spacing and M4 thread. Make sure, that the outer dimensions do not exceed 65 mm. For the assembly of the handles, use M4x10 countersunk screws.

Suitable examples:

- Ganter handle GN 425.6-8-55-EL (available from Ganter)
- Rohde & Schwarz handle series ST, ST 08.055.22 (available from Rohde & Schwarz, Ettinger,)

The R&S HZN96 Rack adapter 2HU is supplied with the blind cover fitted and the lid closed. All necessary screws for mounting are included.



Shipping of instruments built into the rack is not permitted.

2 Prepare the Instrument for Installation

Removing the appliance feet

Before a unit can be installed in the rack, the appliance feet must be removed.

1. Remove the screws on the bottom.

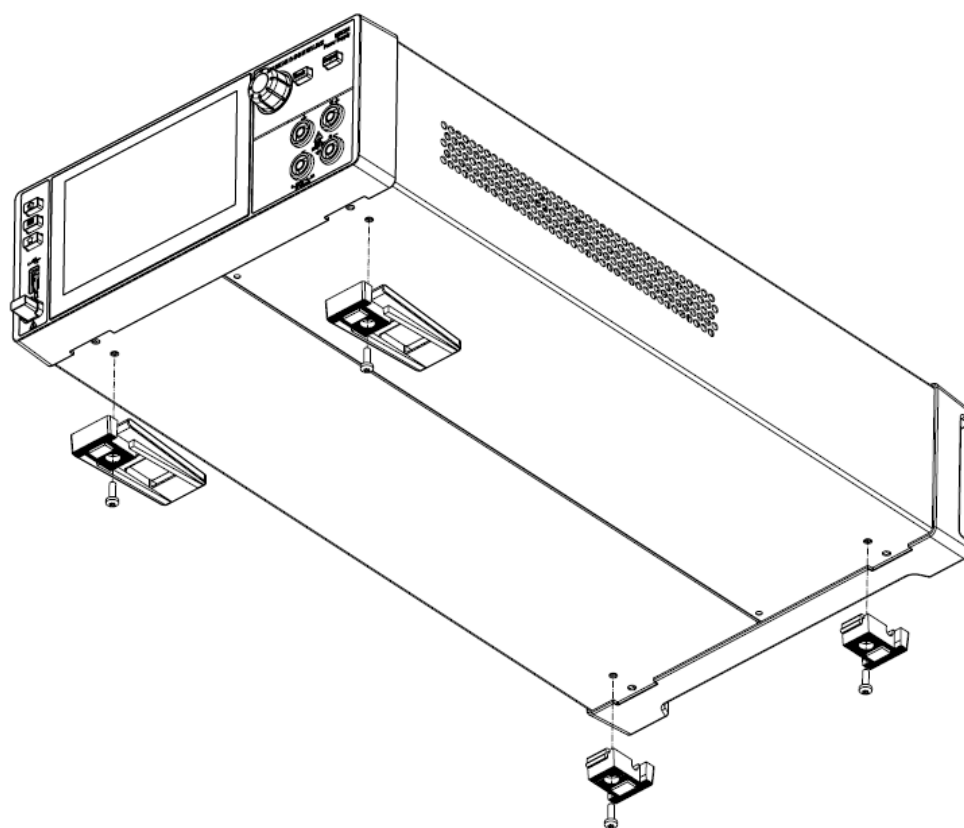


Figure 2-1: Removing the feet at the bottom

2. Remove the feet.

Tip: Keep feet with screws well, if the instrument is to be operated again as a tabletop unit.

Removing the rear panel frame (R&S SMCV100B only)

When installing an R&S SMCV100B unit, also remove the frame at the rear panel:

1. Remove the fixing screws of the frame.

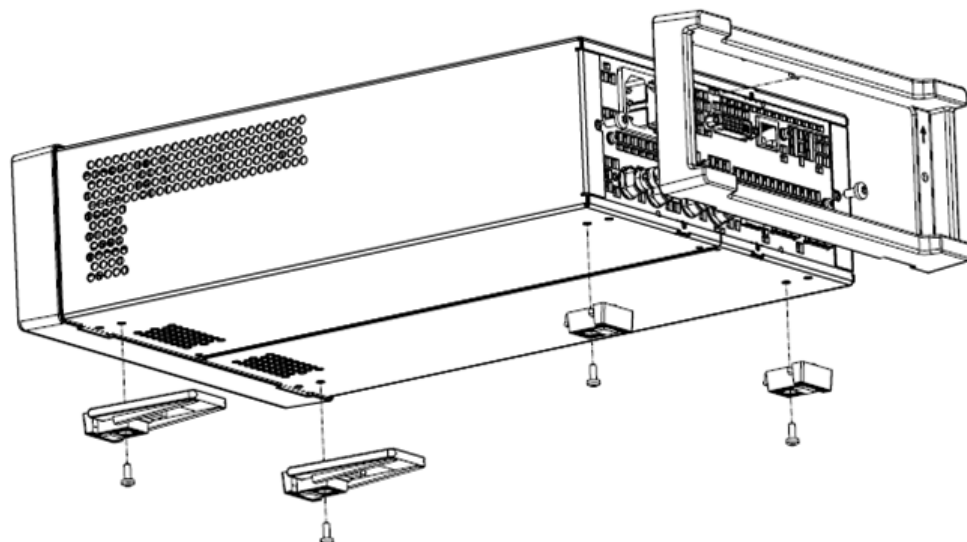


Figure 2-2: Removing the rear panel frame of the R&S SMCV100B

2. Remove the frame.
3. Replace the screws and tighten them.

Tip: Keep rear panel frame well, if the instrument is to be operated again as a tabletop unit.

3 Install the Instrument in the 19 Inches Rack

NOTICE

Risk of instrument damage due to insufficient airflow in a rack

If the instrument is run with insufficient airflow for a longer period, the instrument overheats, which can disturb the operation or cause the instrument to shut down.

To avoid overheating, make sure that the air can circulate through the instruments. Reserve enough space on the outsides (at least 10 cm) to ensure sufficient cooling.

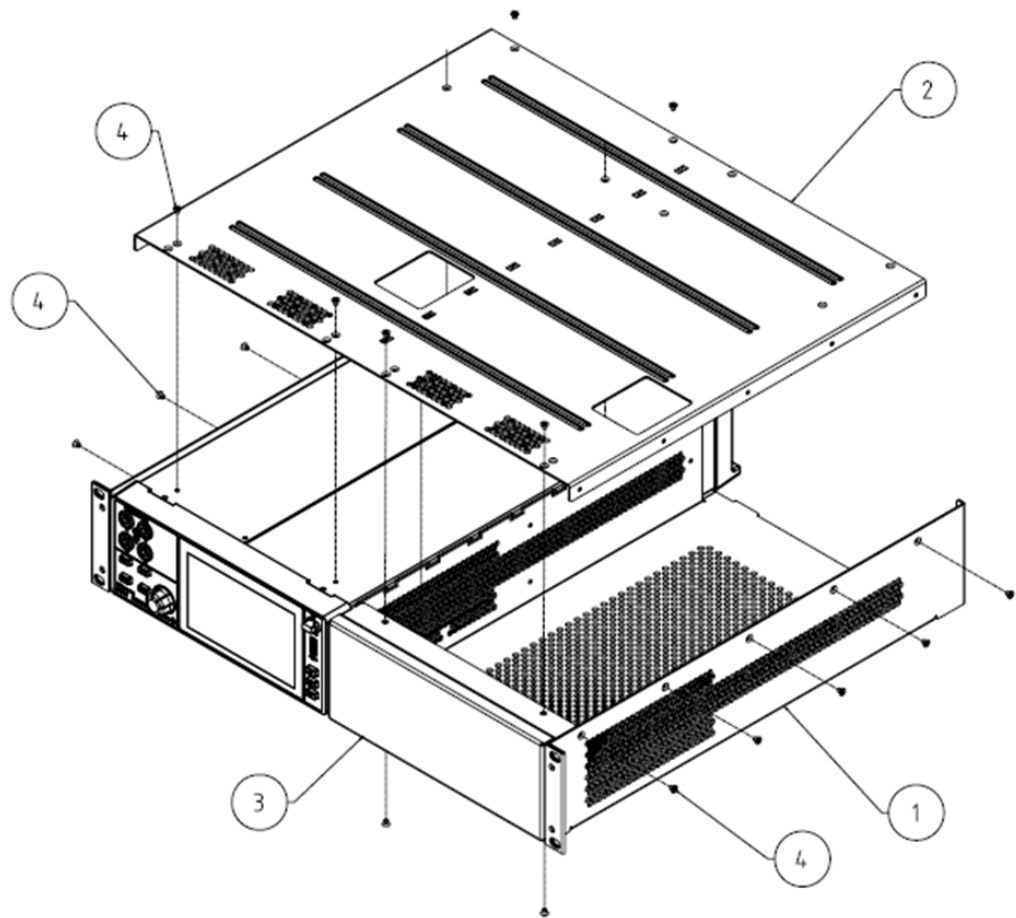


Figure 3-1: Assembly drawing

- 1 = R&S HZN96 subrack, lower part
- 2 = R&S HZN96 subrack, cover
- 3 = R&S HZN96 subrack, blind cover^{*)}
- 4 = Screw ISO 7046H counter-sunk M3x4 A4 TX10

To install the instrument:

1. Remove the preassembled cover (2) from the rack.

2. Place the instrument with removed feet turned upside down in the lower part (1) of the rack.
3. Place the cover (2) with the rear frame of the instrument and slide it forward until it snaps into place in the center of the rack.
4. Mount the instrument from the bottom instead of the feet using the supplied M3x4 screws (4).
5. Screw the cover (2) laterally.

*) Instead of the blind cover (3), you can mount a second instrument the same way.