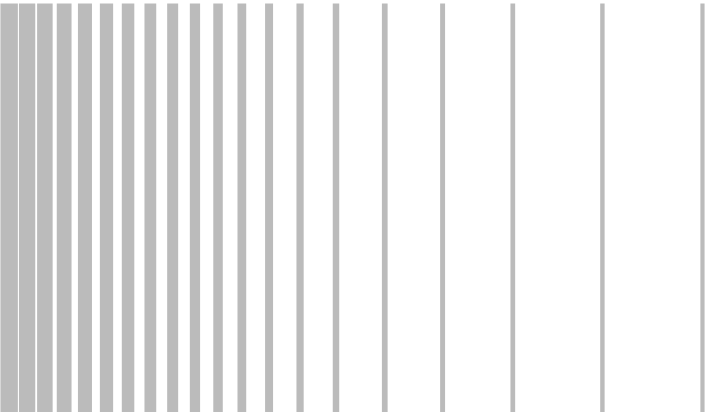


# R&S<sup>®</sup>ZN-Z3x

## Inline Calibration System

# Specifications



# CONTENTS

|   |           |
|---|-----------|
| <b>Definitions .....</b>                                | <b>3</b>  |
| <b>Specifications.....</b>                              | <b>4</b>  |
| Measurement range .....                                 | 4         |
| Effective system data of the R&S®ZN-Z32 .....           | 4         |
| RF Performance of the R&S®ZN-Z32.....                   | 4         |
| Effective system data of the R&S®ZN-Z33 .....           | 5         |
| RF Performance of the R&S®ZN-Z33.....                   | 5         |
| Vacuum-specific characteristics of the R&S®ZN-Z33 ..... | 5         |
| General features.....                                   | 6         |
| Remote control.....                                     | 6         |
| <b>General data .....</b>                               | <b>7</b>  |
| <i>R&amp;S®ZN-Z30</i> .....                             | 7         |
| <i>R&amp;S®ZN-Z32</i> .....                             | 8         |
| <i>R&amp;S®ZN-Z33</i> .....                             | 8         |
| Dimensions (in mm).....                                 | 9         |
| <b>Ordering information .....</b>                       | <b>11</b> |

# Definitions

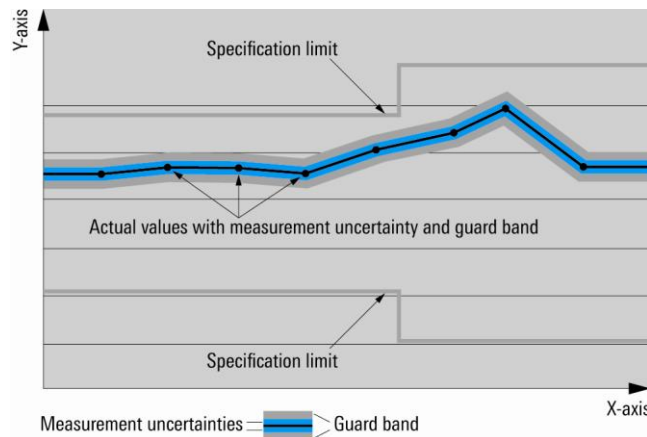
## General

Product data applies under the following conditions:

- Three hours storage at ambient temperature followed by 30 minutes warm-up operation
- Specified environmental conditions met
- Recommended calibration interval adhered to
- All internal automatic adjustments performed, if applicable

## Specifications with limits

Represent warranted product performance by means of a range of values for the specified parameter. These specifications are marked with limiting symbols such as  $<$ ,  $\leq$ ,  $>$ ,  $\geq$ ,  $\pm$ , or descriptions such as maximum, limit of, minimum. Compliance is ensured by testing or is derived from the design. Test limits are narrowed by guard bands to take into account measurement uncertainties, drift and aging, if applicable.



## Non-traceable specifications with limits (n. trc.)

Represent product performance that is specified and tested as described under “Specifications with limits” above. However, product performance in this case cannot be warranted due to the lack of measuring equipment traceable to national metrology standards. In this case, measurements are referenced to standards used in the Rohde & Schwarz laboratories.

## Specifications without limits

Represent warranted product performance for the specified parameter. These specifications are not specially marked and represent values with no or negligible deviations from the given value (e.g. dimensions or resolution of a setting parameter). Compliance is ensured by design.

## Typical data (typ.)

Characterizes product performance by means of representative information for the given parameter. When marked with  $<$ ,  $>$  or as a range, it represents the performance met by approximately 80 % of the instruments at production time. Otherwise, it represents the mean value.

## Nominal values (nom.)

Characterize product performance by means of a representative value for the given parameter (e.g. nominal impedance). In contrast to typical data, a statistical evaluation does not take place and the parameter is not tested during production.

## Measured values (meas.)

Characterize expected product performance by means of measurement results gained from individual samples.

## Uncertainties

Represent limits of measurement uncertainty for a given measurand. Uncertainty is defined with a coverage factor of 2 and has been calculated in line with the rules of the Guide to the Expression of Uncertainty in Measurement (GUM), taking into account environmental conditions, aging, wear and tear.

Device settings and GUI parameters are indicated as follows: “parameter: value”.

Non-traceable specifications with limits, typical data as well as nominal and measured values are not warranted by Rohde & Schwarz.

In line with the 3GPP/3GPP2 standard, chip rates are specified in Mcps (million chips per second), whereas bit rates and symbol rates are specified in Mbps (million bits per second), kbps (thousand bits per second) or ksp/s (thousand symbols per second), and sample rates are specified in Msample/s (million samples per second). Mcps, kbps, ksp/s and Msample/s are not SI units.

# Specifications

## Measurement range

|                                 |                         |                    |
|---------------------------------|-------------------------|--------------------|
| Impedance                       |                         | 50 $\Omega$        |
| Calibration port connector type | R&S <sup>®</sup> ZN-Z32 | SMA (female)       |
|                                 | R&S <sup>®</sup> ZN-Z33 | 2.92 mm (female)   |
| DUT port connector type         | R&S <sup>®</sup> ZN-Z32 | SMA (male)         |
|                                 | R&S <sup>®</sup> ZN-Z33 | 2.92 mm (male)     |
| Number of calibration ports     |                         | 1                  |
| Frequency range                 | R&S <sup>®</sup> ZN-Z32 | 10 MHz to 8.5 GHz  |
|                                 | R&S <sup>®</sup> ZN-Z33 | 10 MHz to 40 GHz   |
| Nominal input level range       |                         | -45 dBm to +10 dBm |
| Damage level                    |                         | +23 dBm            |
| Damage DC voltage               |                         | 12 V               |

## Effective system data of the R&S<sup>®</sup>ZN-Z32

This data is valid at an ambient temperature between +18 °C and +28 °C, at a measurement bandwidth of 10 Hz and a nominal power of -10 dBm at the calibration port. Values for Load match and Transmission tracking apply for a combination of two R&S<sup>®</sup>ZN-Z32 Inline Calibration Units and a reciprocal through connection offering an insertion loss of less than 1 dB at 8.5 GHz.

|                       |                   | specification | typical |
|-----------------------|-------------------|---------------|---------|
| Directivity           | 10 MHz to 200 MHz | > 36 dB       | 40 dB   |
|                       | 200 MHz to 4 GHz  | > 40 dB       | 42 dB   |
|                       | 4 GHz to 8.5 GHz  | > 38 dB       | 40 dB   |
| Source match          | 10 MHz to 200 MHz | > 30 dB       | 36 dB   |
|                       | 200 MHz to 4 GHz  | > 36 dB       | 40 dB   |
|                       | 4 GHz to 8.5 GHz  | > 32 dB       | 36 dB   |
| Reflection tracking   | 10 MHz to 200 MHz | < 0.25 dB     | 0.05 dB |
|                       | 200 MHz to 4 GHz  | < 0.1 dB      | 0.05 dB |
|                       | 4 GHz to 8.5 GHz  | < 0.2 dB      | 0.1 dB  |
| Load match            | 10 MHz to 200 MHz | > 30 dB       | 36 dB   |
|                       | 200 MHz to 4 GHz  | > 36 dB       | 40 dB   |
|                       | 4 GHz to 8.5 GHz  | > 32 dB       | 36 dB   |
| Transmission tracking | 10 MHz to 200 MHz | < 0.25 dB     | 0.05 dB |
|                       | 200 MHz to 4 GHz  | < 0.1 dB      | 0.05 dB |
|                       | 4 GHz to 8.5 GHz  | < 0.2 dB      | 0.1 dB  |

## RF Performance of the R&S<sup>®</sup>ZN-Z32

|                           |                   | specification | typical |
|---------------------------|-------------------|---------------|---------|
| Insertion loss            | 10 MHz to 100 MHz | < 2 dB        | 1.0 dB  |
|                           | 100 MHz to 4 GHz  | < 3 dB        | 2.2 dB  |
|                           | 4 GHz to 8.5 GHz  | < 4.5 dB      | 3.0 dB  |
| Return loss (at DUT port) | 10 MHz to 100 MHz | > 8 dB        | 15 dB   |
|                           | 100 MHz to 4 GHz  | > 14 dB       | 17 dB   |
|                           | 4 GHz to 8.5 GHz  | > 8 dB        | 13 dB   |

|                                   |                    | nominal  |
|-----------------------------------|--------------------|----------|
| 0.1 dB compression point          | 100 MHz to 3 GHz   | > 16 dBm |
|                                   | 3 GHz to 8.5 GHz   | > 20 dBm |
| 1 dB compression point            | 100 MHz to 3 GHz   | > 26 dBm |
|                                   | 3 GHz to 8.5 GHz   | > 30 dBm |
| Third-order intercept point (TOI) | 100 MHz to 200 MHz | > 36 dBm |
|                                   | 200 MHz to 8.5 GHz | > 43 dBm |

## Effective system data of the R&S®ZN-Z33

This data is valid at an ambient temperature between +18 °C and +28 °C, at a measurement bandwidth of 10 Hz and a nominal power of –10 dBm at the calibration port. Values for Load match and Transmission tracking apply for a combination of two ZN-Z33 Inline Calibration Units and a reciprocal through connection offering an insertion loss of less than 2 dB at 40 GHz.

|                       |                   | specification | typical |
|-----------------------|-------------------|---------------|---------|
| Directivity           | 10 MHz to 700 MHz | > 36 dB       | 40 dB   |
|                       | 700 MHz to 20 GHz | > 36 dB       | 38 dB   |
|                       | 20 GHz to 40 GHz  | > 30 dB       | 33 dB   |
| Source match          | 10 MHz to 700 MHz | > 30 dB       | 35 dB   |
|                       | 700 MHz to 20 GHz | > 34 dB       | 37 dB   |
|                       | 20 GHz to 40 GHz  | > 30 dB       | 35 dB   |
| Reflection tracking   | 10 MHz to 700 MHz | < 0.15 dB     | 0.03 dB |
|                       | 700 MHz to 20 GHz | < 0.1 dB      | 0.04 dB |
|                       | 20 GHz to 40 GHz  | < 0.15 dB     | 0.04 dB |
| Load match            | 10 MHz to 700 MHz | > 30 dB       | 35 dB   |
|                       | 700 MHz to 20 GHz | > 34 dB       | 37 dB   |
|                       | 20 GHz to 40 GHz  | > 30 dB       | 35 dB   |
| Transmission tracking | 10 MHz to 700 MHz | < 0.15 dB     | 0.03 dB |
|                       | 700 MHz to 20 GHz | < 0.1 dB      | 0.04 dB |
|                       | 20 GHz to 40 GHz  | < 0.15 dB     | 0.04 dB |

## RF Performance of the R&S®ZN-Z33

|                           |                   | specification | typical |
|---------------------------|-------------------|---------------|---------|
| Insertion loss            | 10 MHz to 100 MHz | < 6 dB        | 3.0 dB  |
|                           | 100 MHz to 3 GHz  | < 3 dB        | 1.5 dB  |
|                           | 3 GHz to 10 GHz   | < 3 dB        | 2.5 dB  |
|                           | 10 GHz to 30 GHz  | < 4 dB        | 3.0 dB  |
|                           | 30 GHz to 40 GHz  | < 6.5 dB      | 5.0 dB  |
| Return loss (at DUT port) | 10 MHz to 100 MHz | > 3 dB        | 10 dB   |
|                           | 100 MHz to 10 GHz | > 10 dB       | 20 dB   |
|                           | 10 GHz to 30 GHz  | > 8 dB        | 15 dB   |
|                           | 30 GHz to 40 GHz  | > 8 dB        | 10 dB   |

|                                   |                  | nominal  |
|-----------------------------------|------------------|----------|
| 0.1 dB compression point          | 100 MHz to 1 GHz | > 0 dBm  |
|                                   | 1 GHz to 3 GHz   | > 13 dBm |
|                                   | 3 GHz to 40 GHz  | > 23 dBm |
| 1 dB compression point            | 100 MHz to 1 GHz | > 8 dBm  |
|                                   | 1 GHz to 3 GHz   | > 22 dBm |
|                                   | 3 GHz to 40 GHz  | > 32 dBm |
| Third-order intercept point (TOI) | 100 MHz to 1 GHz | > 28 dBm |
|                                   | 1 GHz to 2 GHz   | > 38 dBm |
|                                   | 2 GHz to 40 GHz  | > 43 dBm |

## Vacuum-specific characteristics of the R&S®ZN-Z33

|                       |                               |         |
|-----------------------|-------------------------------|---------|
| Outgassing parameters | total mass loss (TML)         | < 0.1%  |
|                       | return mass loss (RML)        | < 0.01% |
|                       | water vapor release (WVR)     | < 0.1%  |
|                       | in line with ECSS-Q-TM-70-52A |         |

## General features

|   |   |       |
|---|---|-------|
| Number of CAN bus interfaces              |   | 2     |
| Number of ICUs per CAN Bus interface      | any combination of R&S®ZN-Z32/<br>R&S®ZN-Z33 ICUs | 24    |
| Max. CAN bus cable length                 |   | 40 m  |
| CAN bus supply voltage                    |   | +24 V |
| Max. supply current per CAN bus interface |   | 1.8 A |

## Remote control

|     |   |
|-----|---|
| USB | universal serial bus connector (type B)           |
| LAN | local area network connector 10/100 BASE-T, RJ-45 |

## General data

| <b>Environmental conditions</b> |  |  |
|---------------------------------|--|--|
| Temperature                     | R&S®ZN-Z30, R&S®ZN-Z32, R&S®ZN-Z33   |  |
|                                 | operating temperature range  | +5 °C to +40 °C  |
|                                 | permissible temperature range  | 0 °C to +50 °C   |
|                                 | storage temperature range  | -40 °C to +60 °C   |
|                                 | R&S®ZN-Z33 model .03 <sup>12</sup>   |  |
|                                 | operating temperature range  | -30 °C to +80 °C   |
|                                 | permissible temperature range  | -50 °C to +100 °C  |
| Damp heat                       | +25/+40 °C, 85 % rel. humidity, cyclic, in line with EN 60068-2-30;<br>or in line with EN 60068-2-78 |  |
|                                 | +40 °C, 85 % rel. humidity, steady state   |  |
| <b>Mechanical resistance</b>    |  |  |
| Vibration                       | sinusoidal   | 5 Hz to 55 Hz, 0.15 mm amplitude const.,<br>55 Hz to 150 Hz, 0.5 g const.,<br>in line with EN 60068-2-6  |
|                                 | random   | 10 Hz to 300 Hz, acceleration 1.2 g RMS,<br>in line with EN 60068-2-64   |
| Shock                           | 40 g shock spectrum, in line with MIL-STD-810E, method 516.4, procedure I                            |  |
| <b>Power rating</b>             |  |  |
| Rated voltage                   | 100 V to 240 V AC (± 10 %)   |  |
| Rated frequency                 | 50 Hz to 60 Hz (± 5 %)   |  |
| Rated current                   | 2.0 A to 1.0 A   |  |
| Rated power                     | 150 W  |  |
|                                 | standby (optional)   | 5 W  |
| <b>Product conformity</b>       |  |  |
| Electromagnetic compatibility   | EU: in line with EMC Directive 2004/108/EC   | applied harmonized standards:<br>EN 61326-1 (industrial environment),<br>EN 61326-2-1,<br>EN 55011 (class A),<br>EN 61000-3-2,<br>EN 61000-3-3 |
| Electrical safety               | EU: in line with Low Voltage Directive 2006/95/EC  | applied harmonized standard:<br>EN 61010-1   |
|                                 | USA  | UL 61010-1   |
|                                 | Canada   | CAN/CSA-C22.2 No. 61010-1  |
| International safety approvals  | VDE – Association for Electrical, Electronic and Information Technologies                            | GS mark  |
|                                 | CSA – Canadian Standards Association   | CSA <sub>UL</sub> mark   |

### R&S®ZN-Z30

|                             |   |  |
|-----------------------------|---|--|
| <b>Calibration interval</b> | for general test and measurement applications | 36 months  |
| <b>Dimensions</b>           | W x H x D                                     | 100 mm x 110 mm x 260 mm<br>(3.94 in x 4.33 in x 10.24 in) |
| <b>Weight</b>               |   | 1.5 kg (3.30 lb)   |
| <b>Display</b>              |   | 1.8" monochrome OLED display                               |
| <b>Resolution</b>           |   | 128 x 64 pixel   |

<sup>1</sup> Temperature data are valid in vacuum environments tbd.

<sup>2</sup> To operate the R&S®ZN-Z33 model .03 at an air pressure below 795 hPa the sensor has to be mounted onto a temperature-controlled baseplate. In this case, the temperature of the baseplate is regarded as the ambient temperature of the R&S®ZN-Z33 model .03.

### R&S®ZN-Z32

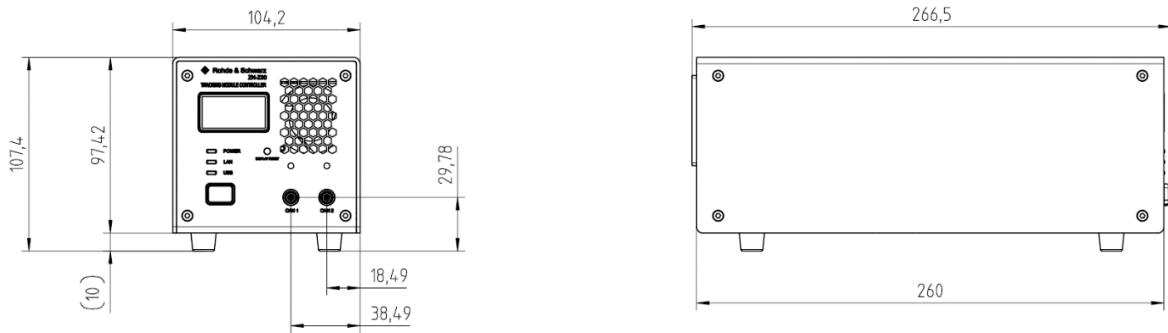
|                      |   |  |
|----------------------|---|--|
| Calibration interval | for general test and measurement applications | 12 months  |
| Dimensions           | W x H x D                                     | 50 mm x 12 mm x 92 mm<br>(1.97 in x 0.47 in x 3.54 in) |
| Weight               |   | 200 g (0.44 lb)  |

### R&S®ZN-Z33

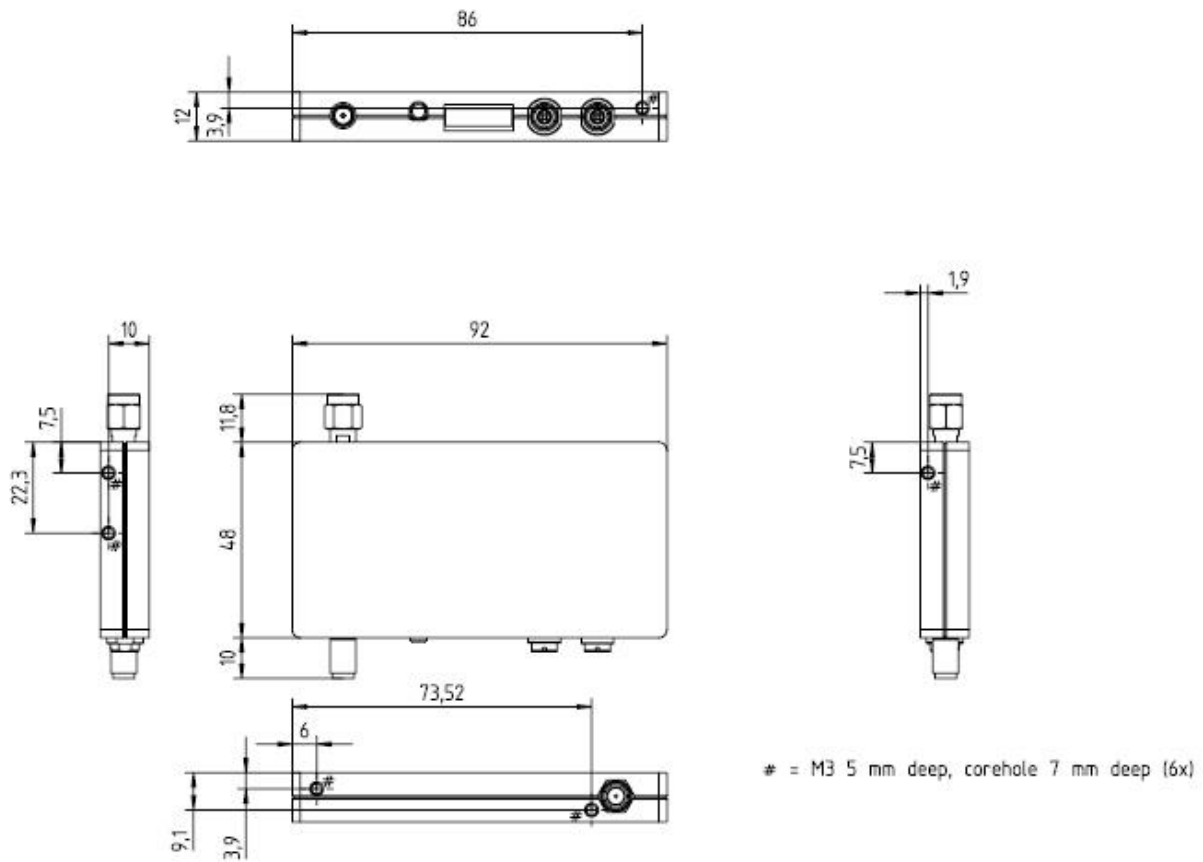
|                      |   |  |
|----------------------|---|--|
| Calibration interval | for general test and measurement applications | 12 months  |
| Dimensions           | W x H x D                                     | 30 mm x 12 mm x 92 mm<br>(1.18 in x 0.47 in x 3.63 in) |
| Weight               |   | 50 g (0.11 lb)   |



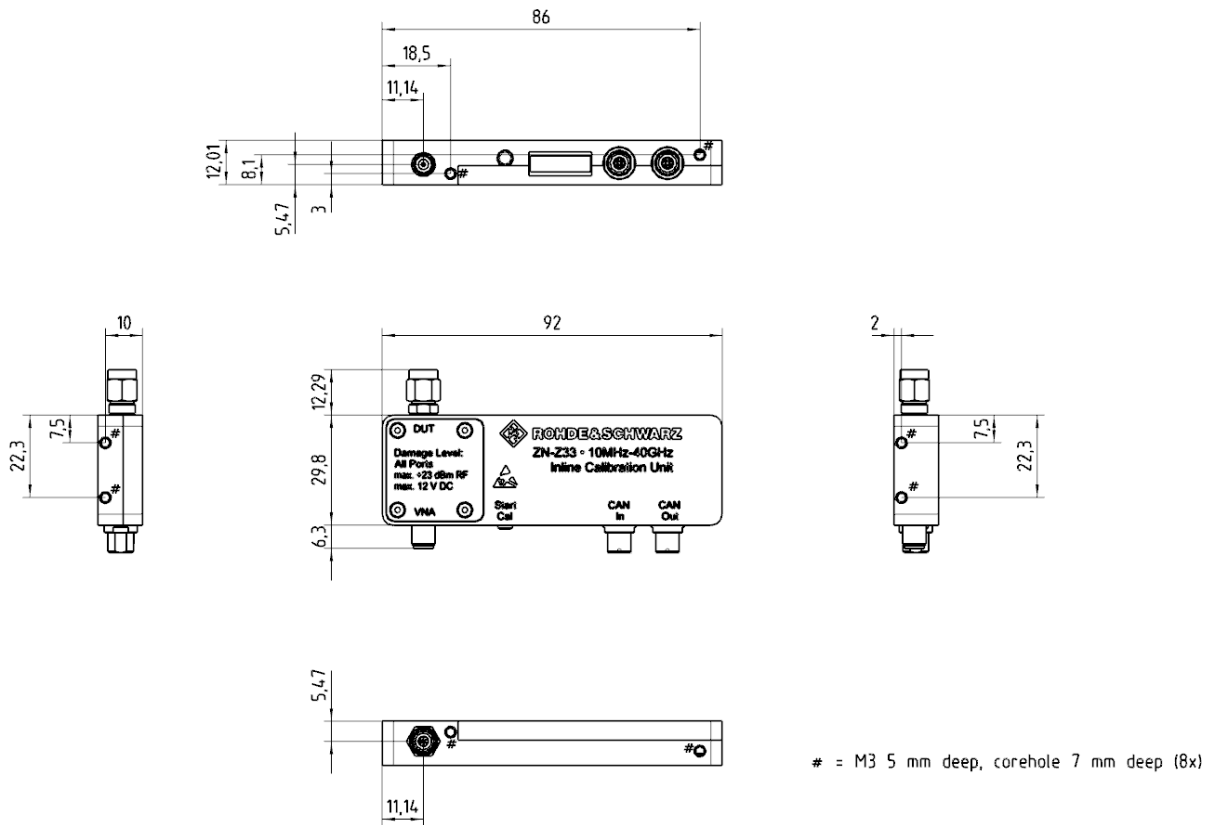
## Dimensions (in mm)



R&S®ZN-Z30 – all dimensions are in mm; tolerances according to ISO 2768-f.



R&S®ZN-Z32 – all dimensions are in mm; tolerances according to ISO 2768-f.



R&S®ZN-Z33 – all dimensions are in mm; tolerances according to ISO 2768-f.

## Ordering information

| Designation                         | Type       | Order No.    |
|-------------------------------------|------------|--------------|
| Inline Calibration Unit Controller  | R&S®ZN-Z30 | 1328.7609.02 |
| Inline Calibration Unit 8.5 GHz     | R&S®ZN-Z32 | 1328.7638.02 |
| Inline Calibration Unit 40 GHz      | R&S®ZN-Z33 | 1328.7644.02 |
| Inline Calibration Unit 40 GHz TVAC | R&S®ZN-Z33 | 1328.7644.03 |

| Service options  |         |   |
|--|---------|---|
| Extended Warranty, one year                              | R&S®WE1 | Please contact your local Rohde & Schwarz sales office. |
| Extended Warranty, two years                             | R&S®WE2 |   |
| Extended Warranty, three years                           | R&S®WE3 |   |
| Extended Warranty, four years                            | R&S®WE4 |   |
| Extended Warranty with Calibration Coverage, one year    | R&S®CW1 |   |
| Extended Warranty with Calibration Coverage, two years   | R&S®CW2 |   |
| Extended Warranty with Calibration Coverage, three years | R&S®CW3 |   |
| Extended Warranty with Calibration Coverage, four years  | R&S®CW4 |   |

### Extended warranty with a term of one to four years (WE1 to WE4)

Repairs carried out during the contract term are free of charge <sup>3</sup>. Necessary calibration and adjustments carried out during repairs are also covered. Simply contact the forwarding agent we name; your product will be picked up free of charge and returned to you in top condition a couple of days later.

### Extended warranty with calibration (CW1 to CW4)

Enhance your extended warranty by adding calibration coverage at a package price. This package ensures that your Rohde & Schwarz product is regularly calibrated, inspected and maintained during the term of the contract. It includes all repairs <sup>1</sup> and calibration at the recommended intervals as well as any calibration carried out during repairs or option upgrades.

<sup>3</sup> Excluding defects caused by incorrect operation or handling and force majeure. Wear-and-tear parts are not included.

## Service that adds value

- | Worldwide
- | Local and personalized
- | Customized and flexible
- | Uncompromising quality
- | Long-term dependability

## Rohde & Schwarz

The Rohde & Schwarz electronics group offers innovative solutions in the following business fields: test and measurement, broadcast and media, secure communications, cybersecurity, monitoring and network testing. Founded more than 80 years ago, the independent company which is headquartered in Munich, Germany, has an extensive sales and service network with locations in more than 70 countries.

## Sustainable product design

- | Environmental compatibility and eco-footprint
- | Energy efficiency and low emissions
- | Longevity and optimized total cost of ownership

Certified Quality Management

**ISO 9001**

Certified Environmental Management

**ISO 14001**

## Rohde & Schwarz GmbH & Co. KG

[www.rohde-schwarz.com](http://www.rohde-schwarz.com)

## Rohde & Schwarz training

[www.training.rohde-schwarz.com](http://www.training.rohde-schwarz.com)

## Regional contact

- | Europe, Africa, Middle East | +49 89 4129 12345  
[customersupport@rohde-schwarz.com](mailto:customersupport@rohde-schwarz.com)
- | North America | 1 888 TEST RSA (1 888 837 87 72)  
[customer.support@rsa.rohde-schwarz.com](mailto:customer.support@rsa.rohde-schwarz.com)
- | Latin America | +1 410 910 79 88  
[customersupport.la@rohde-schwarz.com](mailto:customersupport.la@rohde-schwarz.com)
- | Asia Pacific | +65 65 13 04 88  
[customersupport.asia@rohde-schwarz.com](mailto:customersupport.asia@rohde-schwarz.com)
- | China | +86 800 810 82 28 | +86 400 650 58 96  
[customersupport.china@rohde-schwarz.com](mailto:customersupport.china@rohde-schwarz.com)

R&S® is a registered trademark of Rohde & Schwarz GmbH & Co. KG

Trade names are trademarks of the owners

PD 3607.2890.22 | Version 04.00 | September 2017 (fi)

R&S®ZN-Z3x Inline Calibration System

Data without tolerance limits is not binding | Subject to change

© 2017 Rohde & Schwarz GmbH & Co. KG | 81671 Munich, Germany



3607289022