

# R&S®RD130 ANTENNA ROTATOR

For azimuth positioning of antennas and antenna systems



The R&S®RD130 antenna rotator is used for azimuth positioning of antennas such as the R&S®HL451 or R&S®HL471 log-periodic HF antennas.

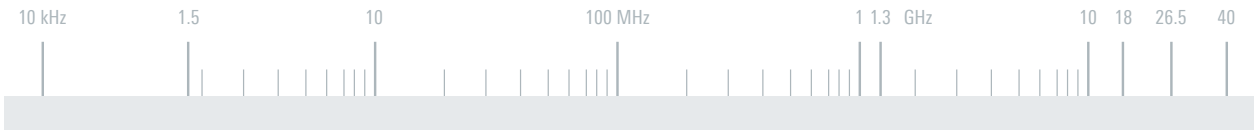
The high-precision gear is accommodated in sand-cast aluminum housing. The housing is sealed against splashing and equipped with a pressure compensation and ventilation system. The individual parts of the transmission are permanently lubricated and therefore largely maintenance-free.

The R&S®RD130 is powered and controlled by the R&S®GB130 control unit. Remote control of the antenna rotator from a PC is also possible via the control unit and the R&S®CP001 antenna remote control software (ARCOS).

## Key facts

- ▶ High-precision gear
- ▶ Very short start-up time
- ▶ High efficiency
- ▶ Permanent lubrication/virtually maintenance-free
- ▶ Compact design

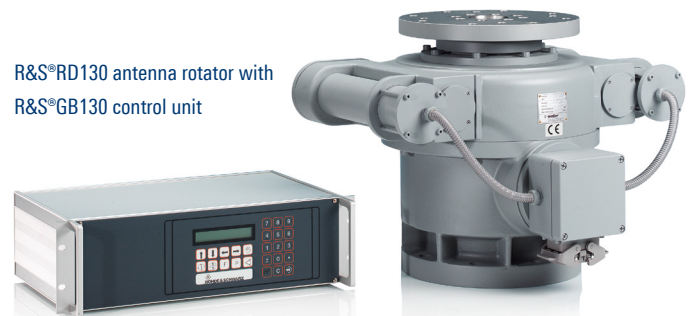
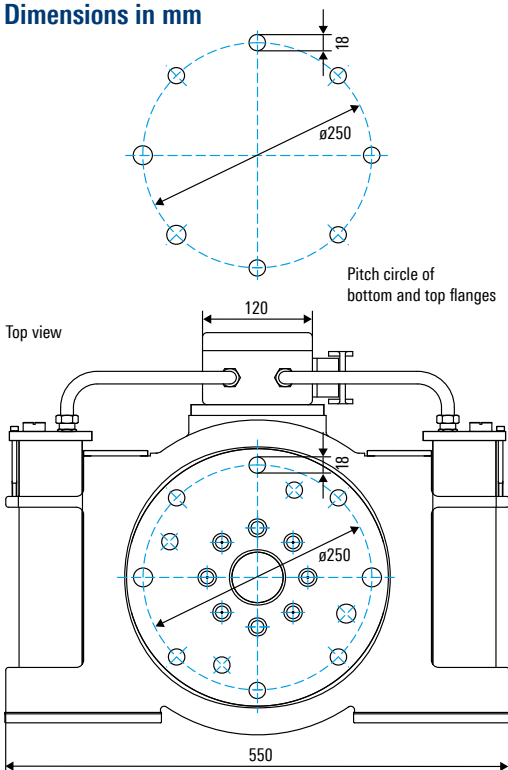




Specifications		
Voltage supply	via the R&S®GB130 control unit	24 V DC
Power consumption		2 × max. 80 W
Azimuth range		n × 360°
Speed of rotation		approx. 2°/s
Positioning accuracy		±0.1°
Permissible driving torque		approx. 1800 Nm
Starting torque		approx. 3000 Nm
Permissible bending moment at top flange		max. 6500 Nm
Permissible axial load		max. 3500 N
MTBF		> 40 000 h (at 25% on-time)
Operating temperature range		-35°C to +63°C
Maximum duty cycle		25%
Protection class		IP65
Dimensions	W × H × D	approx. 550 × 405 × 417 mm (22 × 16 × 16 in)
Weight		approx. 100 kg (221 lb)

Ordering information	Type	Order No.
Antenna rotator	R&S®RD130	4059.8503.02
<b>Recommended extras</b>		
Control unit	R&S®GB130	4059.8755.02
Cable set, length: 50 m	R&S®GK130	4059.8855.02
Cable set, length: 80 m	R&S®GK130	4059.8855.03
Cable set, length: 120 m	R&S®GK130	4059.8855.04
Cable set, length: 200 m	R&S®GK130	4059.8855.05
Antenna remote control software (ARCOS)	R&S®CP001	4069.6384.04

Dimensions in mm



R&S®RD130 antenna rotator with R&S®GB130 control unit