

R&S® HA230/403 HF RECEIVING ANTENNA

1.5 MHz to 30 MHz

Also for polarization-diversity reception



The R&S®HA230/403 HF receiving antenna is a versatile shortwave antenna for both horizontally and vertically polarized waves.

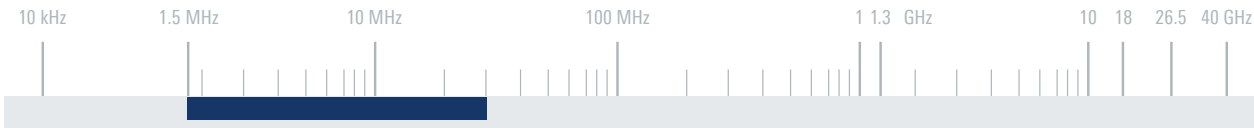
The antenna consists of a mast head with a vertical monopole and two horizontal dipoles mounted at a 90° angle. The antenna is installed on a 5 m mast.

Made up of electrically isolated and decoupled radiators, the antenna is particularly suitable for polarization-diversity reception.

Key facts

- ▶ Radiators for horizontal reception
- ▶ Radiator for vertical reception
- ▶ Individual radiators decoupled from each other
- ▶ Suitable for polarization-diversity reception





Specifications

Frequency range	1.5 MHz to 30 MHz	
Polarization	horizontal and vertical	
Input impedance	50 Ω	
Connectors	3 × N female	
MTBF	100000 h	
Operating temperature range	-40°C to +63°C	
Maximum wind speed	without ice deposit	150 km/h
Dimensions	length of radiators	approx. 5 m (16 ft)
	height	approx. 10.5 m (35 ft)
Weight (incl. mast)	approx. 93 kg (205 lb)	

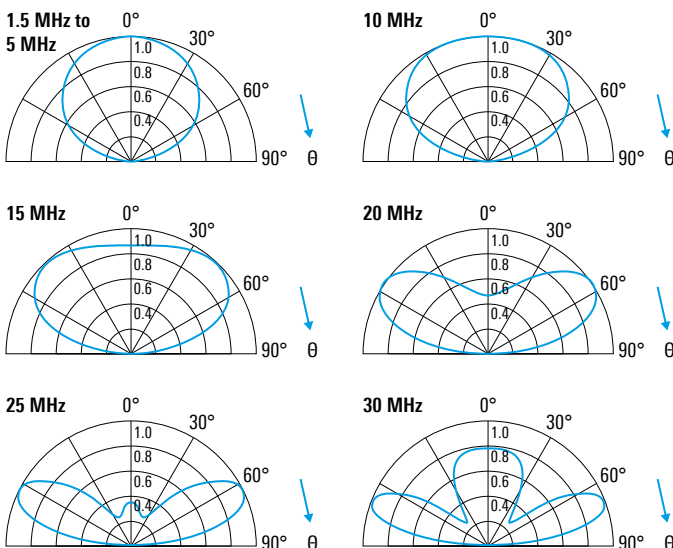
Ordering information

Ordering information	Type	Order No.
HF receiving antenna (stationary)	R&S®HA230/403	0101.1176.03
Consists of:		
Antenna head	R&S®HA230Z	0138.6313.00
Mast, length: 5 m	R&S®KM002Z4	4115.9740.02

Recommended extras

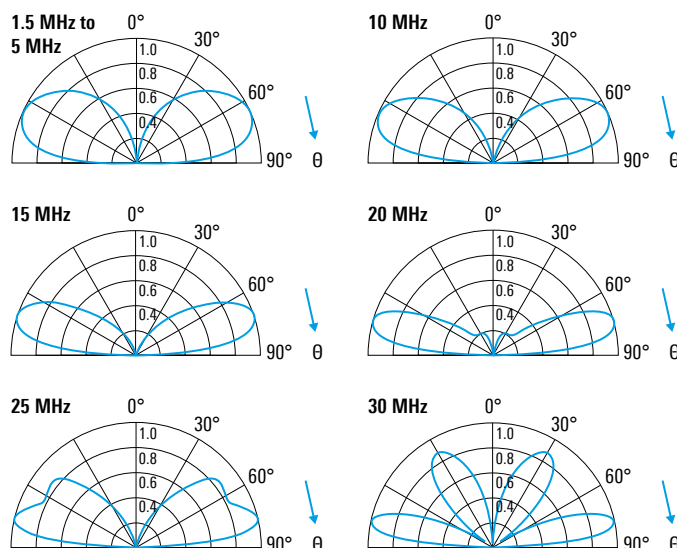
Open switch and control platform, without touchscreen	R&S®OSP-220	1528.3105.02
Open switch and control platform, with touchscreen	R&S®OSP-230	1528.3105.03
Module for R&S®OSP, for controlling R&S®HA230/403	R&S®OSP-B133	1528.3157.02

Typical elevation patterns for horizontal polarization



Vertical pattern of the relative field strength of the R&S®HA230/R&S®HA403 HF receiving antenna with vertical polarization for average ground (calculated).

Typical elevation patterns for vertical polarization



Vertical pattern of the relative field strength of the R&S®HA230/R&S®HA403 HF receiving antenna with horizontal polarization for average ground (calculated).