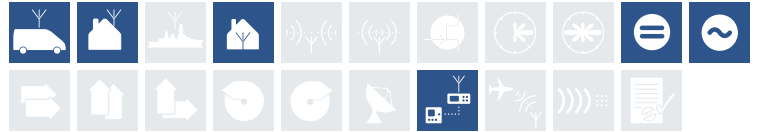


# R&S®GB016 CONTROL UNIT

Selection of polarization, activating or bypassing amplifiers and power supplies of rotators and selected log-periodic antennas



The R&S®GB016 control unit is used for selecting polarization and for activating or bypassing the amplifiers and power supplies of the following log-periodic antennas:

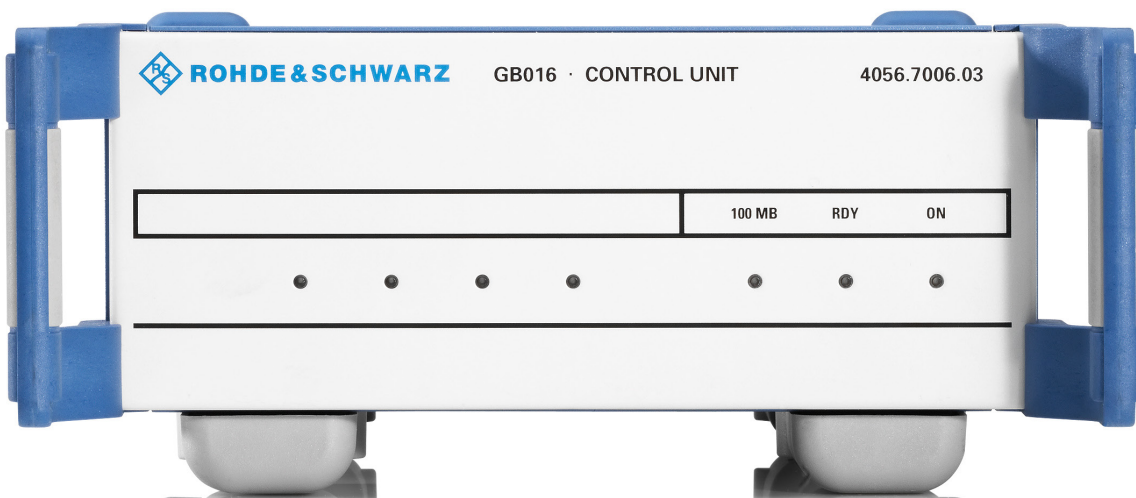
- ▶ R&S®HL024S2, R&S®HL024S7
- ▶ R&S®HL024S8, R&S®HL024S9
- ▶ R&S®HL050S7
- ▶ R&S®HL007A2 via R&S®ZS107

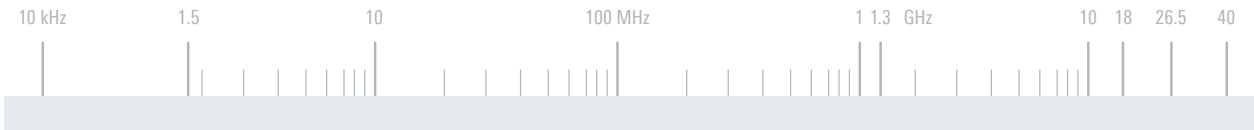
It also controls the R&S®AC008 microwave antenna system in combination with the R&S®RD016 rotator.

The R&S®GB016 is remote controlled by the R&S®CP001 antenna remote control software over a LAN interface.

### Key facts

- ▶ Remote control
- ▶ Mobile or stationary use
- ▶ AC or DC voltage supplied
- ▶ LAN interface (10/100 Mbit/s)
- ▶ Rotator supply and control
- ▶ Low maintenance





**Specifications**

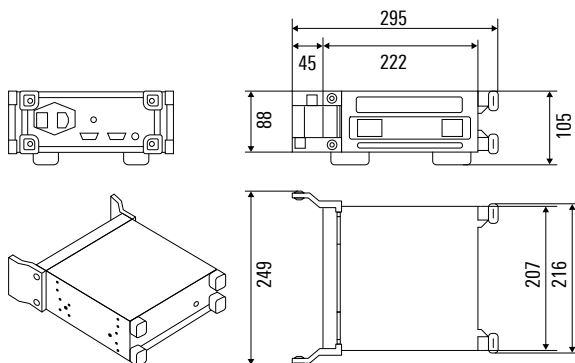
Mains power supply	voltage	100 V to 240 V AC, 50 Hz to 60 Hz
	power consumption	< 10 A (peak)
DC power supply	voltage	21 V to 29 V DC (stabilized)
	power consumption	< 15 A (peak)
Interface for antenna control		15-contact, D-Sub female
	supply voltages	+15 V DC (max. 1.5 A), +12 V DC (max. 1.5 A)
	3 × control line	max. 0.5 A
Remote control interface		Ethernet 10/100 Mbit/s, connector RJ-45
Rotor interface		VG95328 (10 pin circular)
Rotor voltage		24 V (21 V to 29 V DC)
MTBF		> 44500 h, in line with SN29500 at +40°C ambient temperature, ground fixed
Operating temperature range		+5°C to +40°C
Dimensions	W × H × D	approx. 250 mm × 110 mm × 300 mm (10 in × 4 in × 12 in)
Weight		approx. 3 kg (7 lb)

6

**Ordering information**

	Type	Order No.
Control unit	R&S®GB016	4056.7006.03
<b>Recommended extras</b>		
Control cable, for R&S®HL024Sx and R&S®HL050S7, length: 10 m	R&S®GB016Z1	4056.7270.02
Antenna remote control software (ARCOS)	R&S®CP001	4069.6384.0x (x = 3/5/6, depending on application)

**Dimensions in mm**



Rear view