



R&S®ZND VECTOR NETWORK ANALYZERS

Basic, solid-performance network analysis

The perfect choice for

Passive and simple active RF components tests

Education

Production tests and repairs

Engineering office



The analyzer that grows with your requirements

The R&S®ZND is a basic network analyzer that provides unidirectional measurements up to 4.5 GHz. Options are available to perform bidirectional measurements and to extend the frequency range to 8.5 GHz.

Key specifications	
Frequency range	100 kHz to 4.5 GHz (or 8.5 GHz with option)
Number of points	2 to 20,001
Dynamic range	up to 120 dB (spec.), 130 dB (typ.)
Output power	up to +10 dBm (spec.)
IF bandwidths	1 Hz to 300 kHz
Measurement speed	12 ms ¹⁾

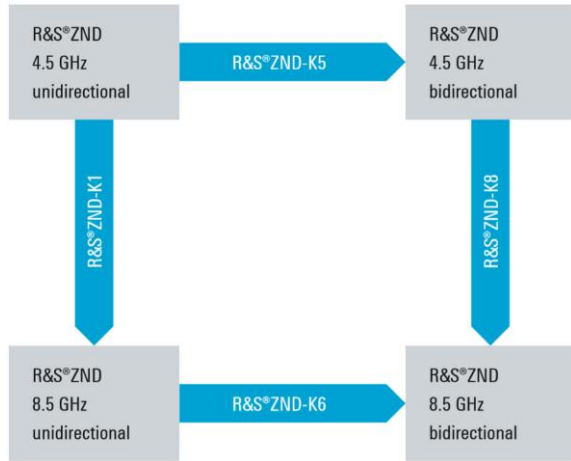
¹⁾ 201 points, 100 kHz IFBW, 200 MHz span, two-port calibration

Your benefit	Features
Grows with your requirements	The base unit is a 4.5 GHz unidirectional test set. It can be upgraded via key codes to enable the bidirectional test set, and to change the upper frequency limit to 8.5 GHz. If more features are needed, the transition to the higher class R&S®ZNB is easy since they have the same form factor, user interface and overlapping remote control commands.
Solid RF performance	Output power of up to +10 dBm, dynamic range up to 130 dB.
Easy to operate	12.1" touchscreen with 1280 x 800 pixel resolution, flat menu structures for efficient operation. Flexible display configuration for each measurement task.



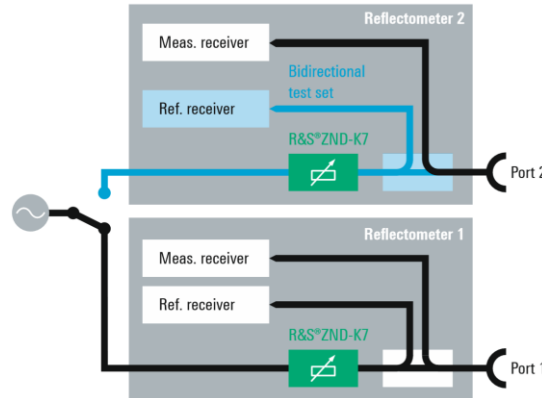
For more information, visit www.rohde-schwarz.com/product/ZND

Easy to upgrade



Upgrade options for R&S ZND

Unidirectional/bidirectional test set



The unidirectional test set incorporated in the R&S ZND can be used to test passive components such as filters, connectors and antennas.

Easy to operate

Toolbar

Fast access to frequently used functions

Large color touchscreen (12.1")

Clearly arranged display of many traces

Soft panel

Optionally on the right or left, for direct instrument control without submenus

Logically arranged hardkeys

Just a few keystrokes to desired configuration

Preloaded setups

Switch between instrument setups by clicking a tab

> 100 channels and traces

Display of all parameters

Online help

Context-sensitive, including remote control commands

Undo/Redo

Cancel or restores the last one to six entries

Pop-up menus

Fast access to desired function

Widely spaced test ports

Easy connection of DUT, plenty of space for connecting test cables

Transparent dialog windows

Traces remain visible

USB connectors

Connect power sensor, automatic calibration unit, mouse/keyboard, memory stick



Ordering information

Description	Item
Extended frequency range, unidirectional, 8.5 GHz	R&S ZND-K1
Time domain analysis (TDR)	R&S ZND-K2
Full test set, base unit, bidirectional, 4.5 GHz	R&S ZND-K5
Full test set, bidirectional, 8.5 GHz	R&S ZND-K6
Extended power range for R&S ZND	R&S ZND-K7
Extended frequency range, full test set, bidirectional, 8.5 GHz	R&S ZND-K8
High output power	R&S ZND-B7
GPIB interface	R&S ZND-B10
Additional removable hard-disk	R&S ZND-B19
Handler I/O	R&S ZND-B14

Feature highlights

- ▶ Two-port network analyzer for unidirectional measurements from 100 kHz to 4.5 GHz
- ▶ Frequency range can be extended to 8.5 GHz
- ▶ Test set can be extended for bidirectional measurements
- ▶ Touchscreen operation
- ▶ Dynamic range up to 130 dB (typ.)
- ▶ Power sweep range up to 55 dB
- ▶ Bandwidths from 1 Hz to 300 kHz
- ▶ More than 100 traces and channels
- ▶ Compatible with all Rohde & Schwarz network analyzers

Rohde & Schwarz GmbH & Co. KG (www.rohde-schwarz.com)

Rohde & Schwarz customer support (www.rohde-schwarz.com/support) Rohde & Schwarz training (www.training.rohde-schwarz.com)

R&S® is a registered trademark of Rohde & Schwarz GmbH & Co. KG | PD 5216.4010.32 | Version 02.00 | May 2022 (as)

Trade names are trademarks of the owners | R&S ZND vector network analyzers | Data without tolerance limits is not binding

Subject to change | © 2022 Rohde & Schwarz GmbH & Co. KG | 81671 Munich, Germany